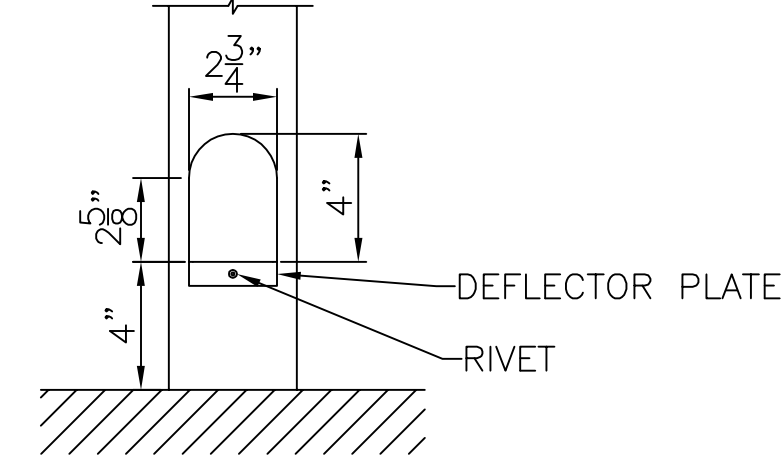


1  
DETAIL  
PAGE  
1

DETAIL VIEW OF CANOPY  
SCALE: 2"=1'



NOTE:  
• CAULK DEFLECTOR PLATE  
INSIDE OF POST

2  
DETAIL  
PAGE  
1

DETAIL VIEW OF CANOPY  
SCALE: 2"=1'

**STANDARD FOOTER  
SLAB MOUNTED**

General Contractor:  
Arch:

DRAWN BY: WCH

DRAWING NUMBER:

PAGE:

Revisions  
#

SCALE: AS NOTED  
DATE: 09.15.09