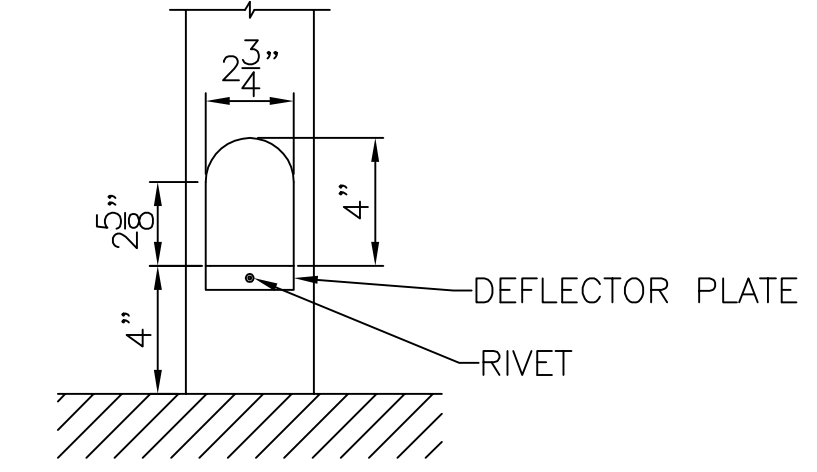
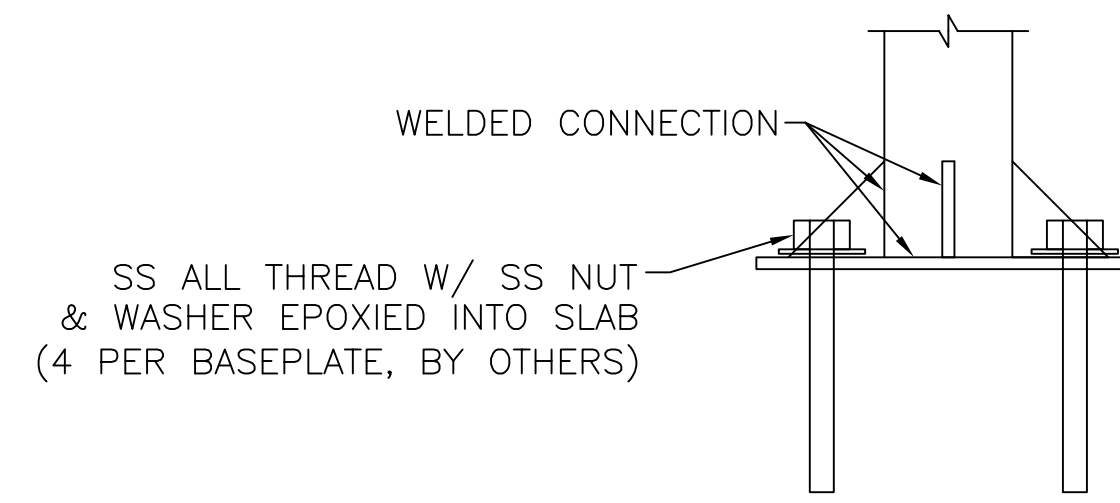
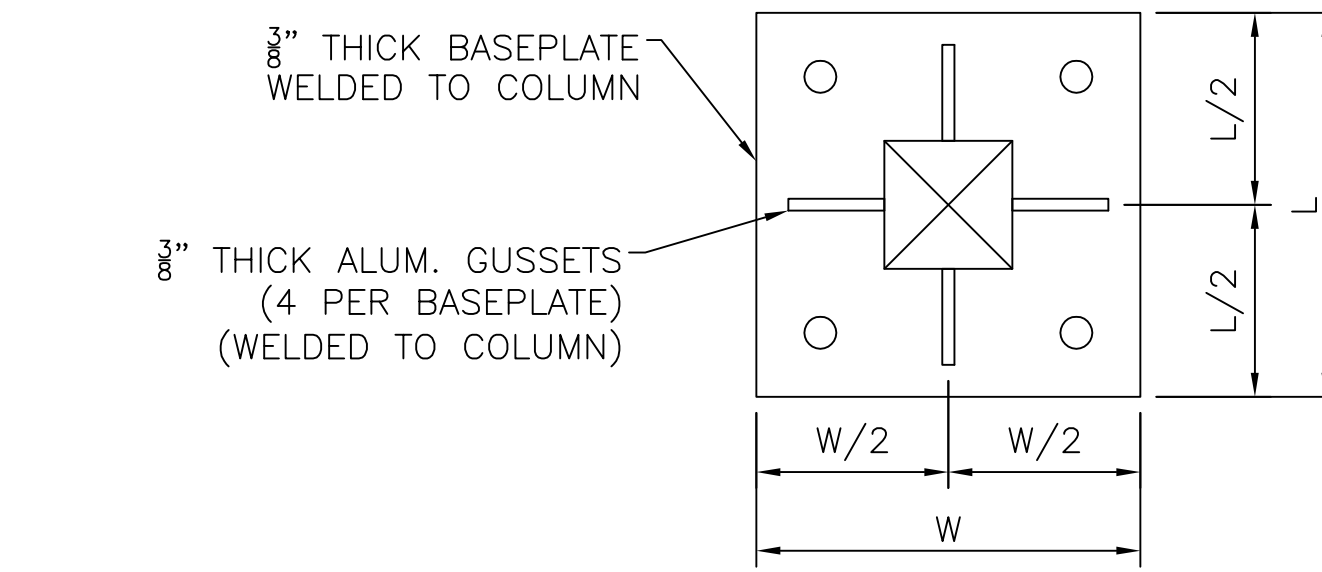


1  
DETAIL PAGE  
1  
DETAIL VIEW OF CANOPY  
SCALE: 2"=1'



NOTE:  
• CAULK DEFLECTOR PLATE  
INSIDE OF POST

3  
DETAIL PAGE  
1  
DETAIL VIEW OF CANOPY  
SCALE: 2"=1'



2  
DETAIL PAGE  
1  
DETAIL VIEW OF CANOPY  
SCALE: 2"=1'

**STANDARD FOOTER  
W/ BASE PLATE**

General Contractor:

Arch:

DRAWN BY: WCH

DRAWING NUMBER:

PAGE:

SCALE: AS NOTED

DATE: 09.15.09

Revisions  
#



1761 McCoba Drive, Suite A, Smyrna, GA 30080  
Phone: (770) 431-7300 Fax: (770) 431-7305