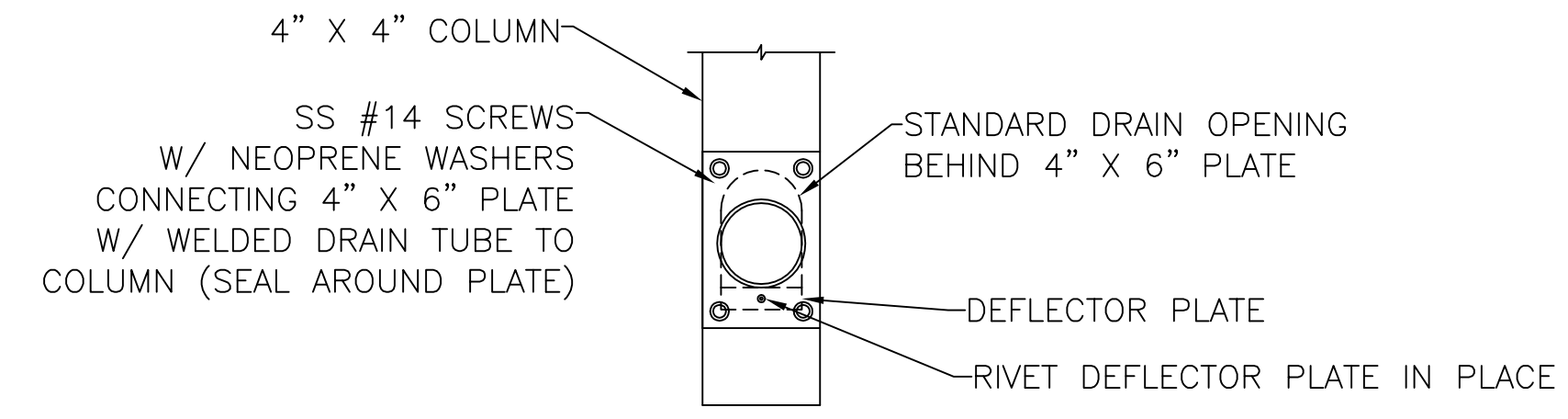


1
DETAIL
PAGE
1

DETAIL VIEW OF CANOPY
SCALE: 2"=1'



NOTE:
• CAULK DEFLECTOR PLATE
INSIDE OF POST

2
DETAIL
PAGE
1

DETAIL VIEW OF CANOPY
SCALE: 2"=1'

**STANDARD FOOTER
W/ UNDERGROUND
DRAINAGE**

General Contractor:
Arch:

DRAWN BY: WCH

DRAWING NUMBER:

PAGE:

Revisions
#

SCALE: AS NOTED
DATE: 09.15.09