

# 8FT CANTILEVER 8 (CBU) CANOPY

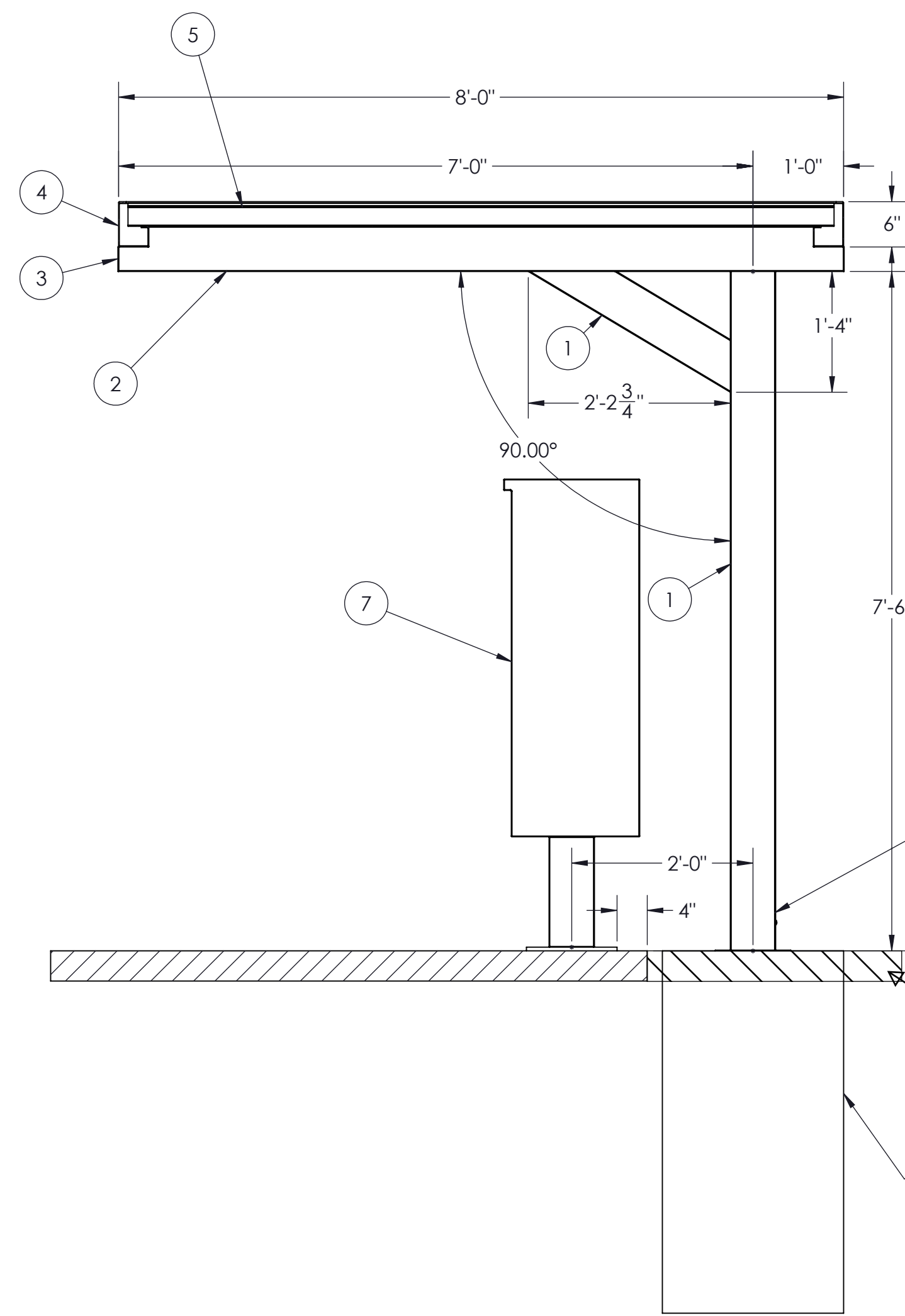


1761 McCoba Drive, Suite A, Smyrna, GA 30080  
Phone: (770) 431-7300 Fax: (770) 431-7305

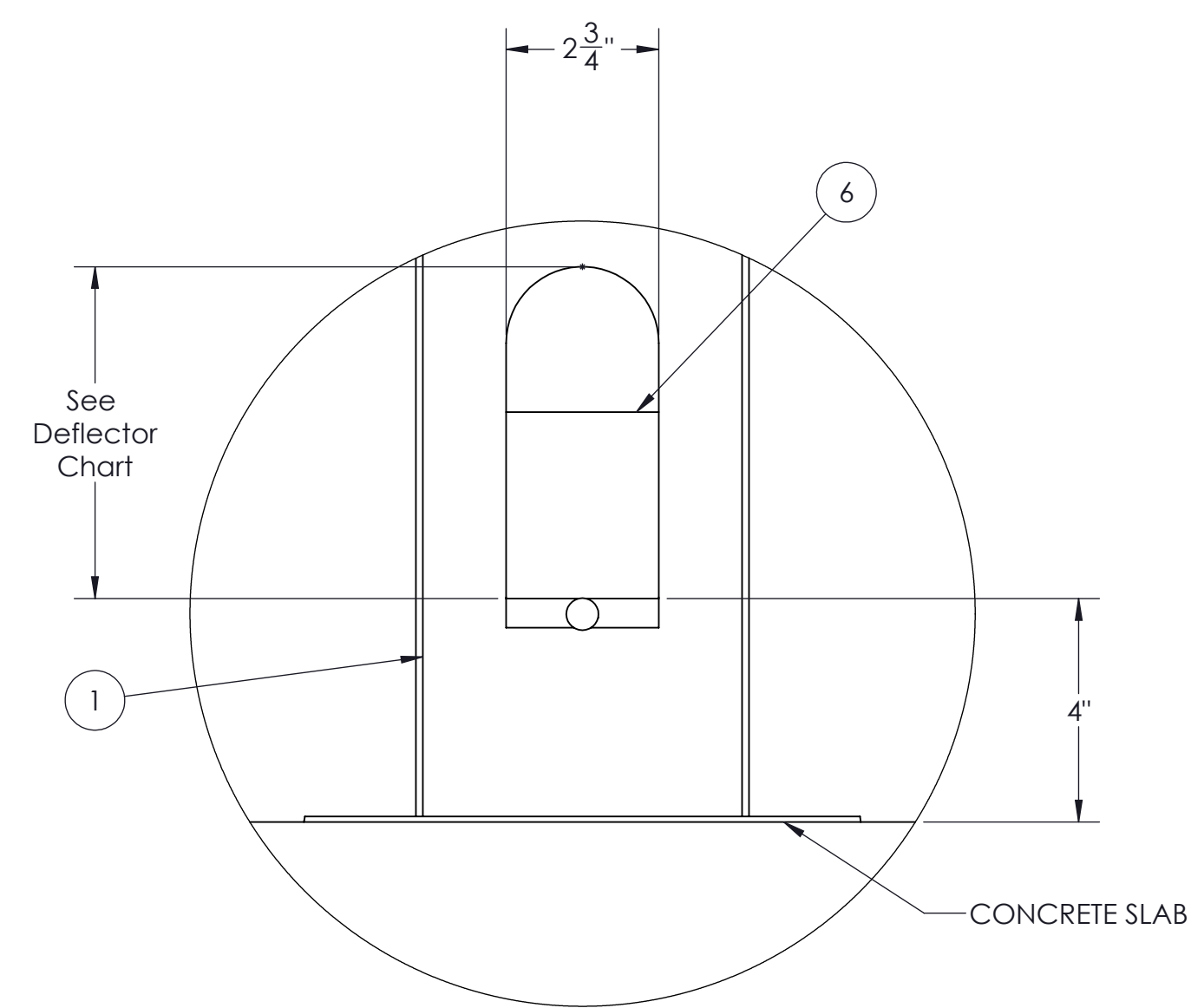
**This document is property of Mitchell Metals, LLC. Modifications to this document are prohibited without prior written consent from Mitchell Metals, LLC.**

This document is property of Mitchell Metals, LLC. Modifications to this document are prohibited without prior written consent from Mitchell Metals, LLC.

ITEM NO.	PART NUMBER	DESCRIPTION
1	6063-T6 Aluminum	Column (see page 3 for size)
2	6063-T6 Aluminum	Beam (see page 3 for size)
3	0.080" Aluminum	Welded End Cap
4	6063-T6 Aluminum	4X6 GUTTER
5	Aluminum	3 x 12 x 0.032 Roll Formed Flat Pan
6	Deflector Plate	Deflector Plate
7	CBU Mailbox	



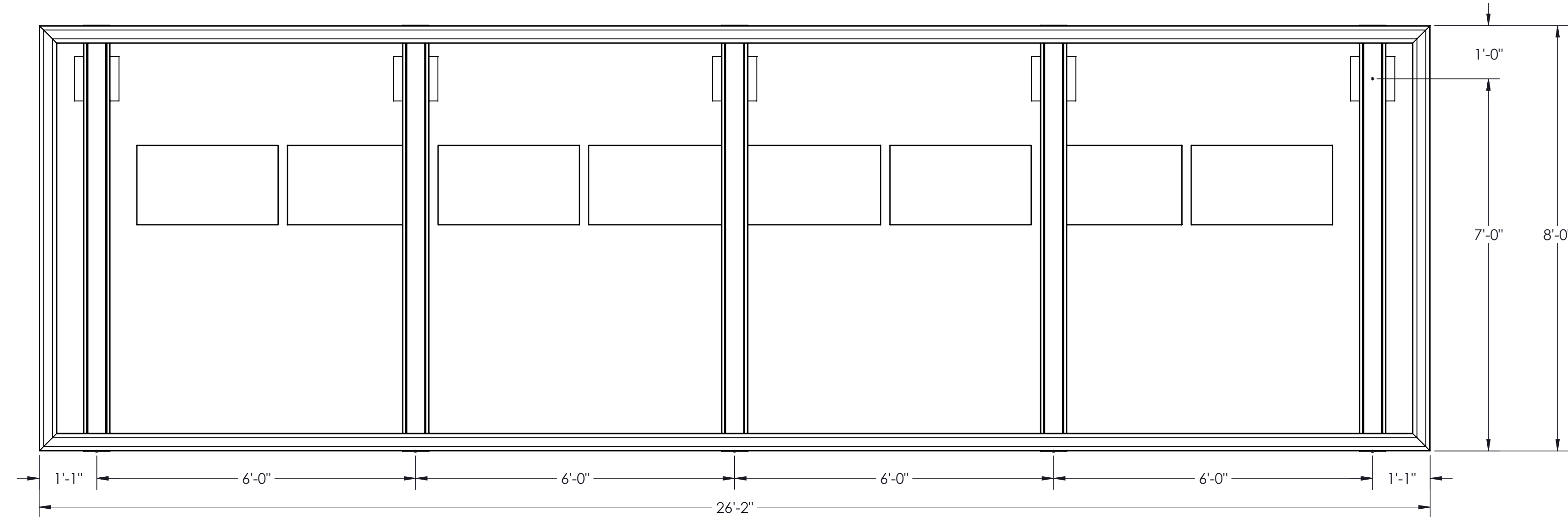
SECTION A-A  
 SCALE 1 : 16  
**SECTION VIEW**



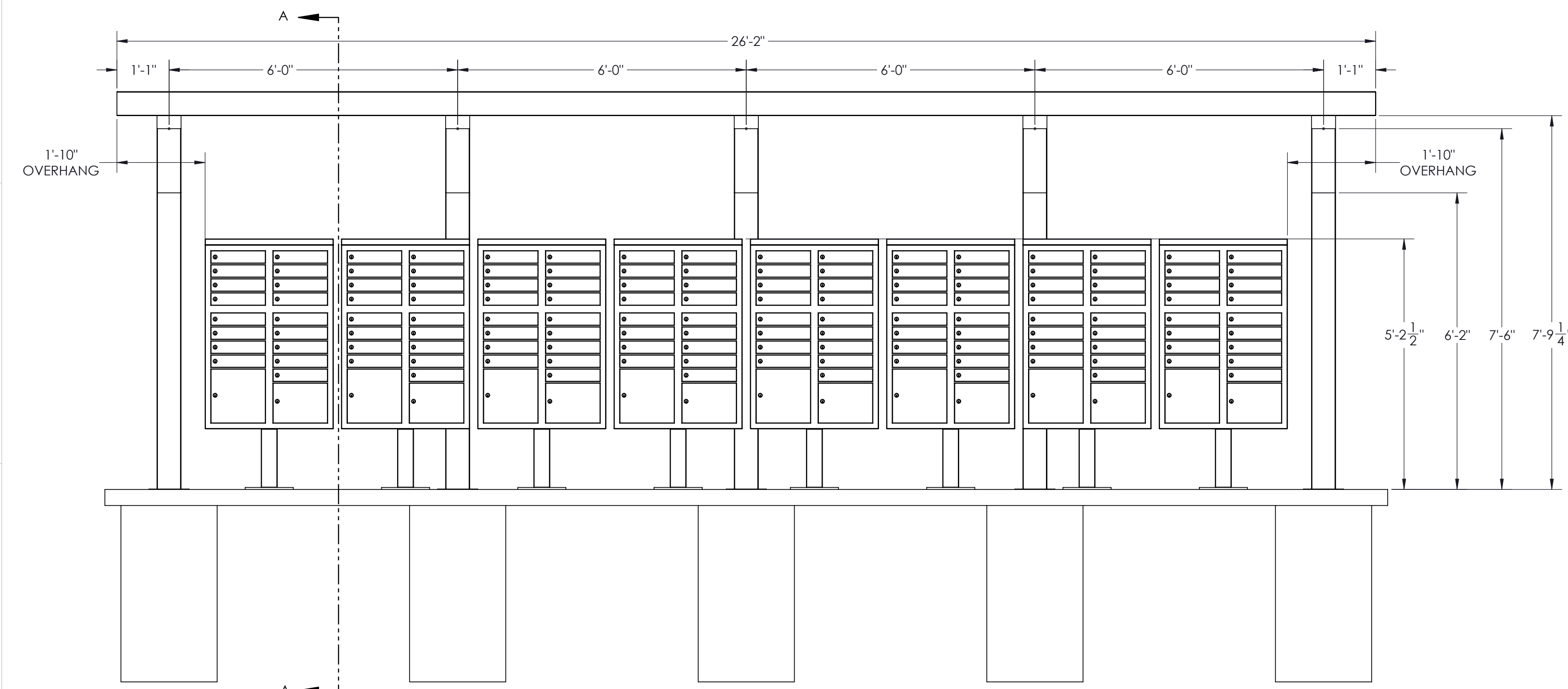
**COLUMN DRAIN HOLE DETAIL SCALE 1:3**

Deflector Plate Cutout Height	Column Size
4"	4"x6"
6"	6"x6"
6"	6"x8"

STYLE:  
**8 CLUSTER BOX UNIT (CBU) CANOPY**



**TOP VIEW - NO DECKING FRAMING AND GUTTER LAYOUT**



**ELEVATION VIEW**

This document is property of Mitchell Metals, LLC. Modifications to this document are prohibited without prior written consent from Mitchell Metals, LLC.

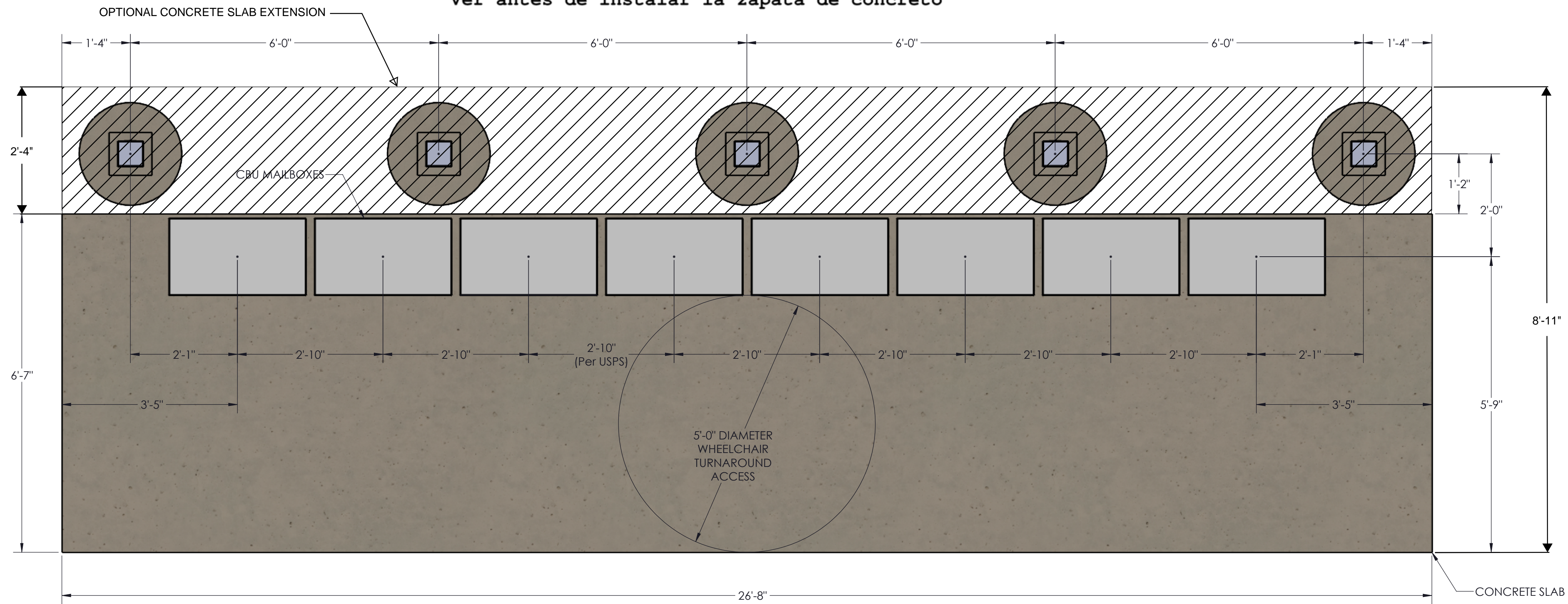
View before Footing and Blockout Installation



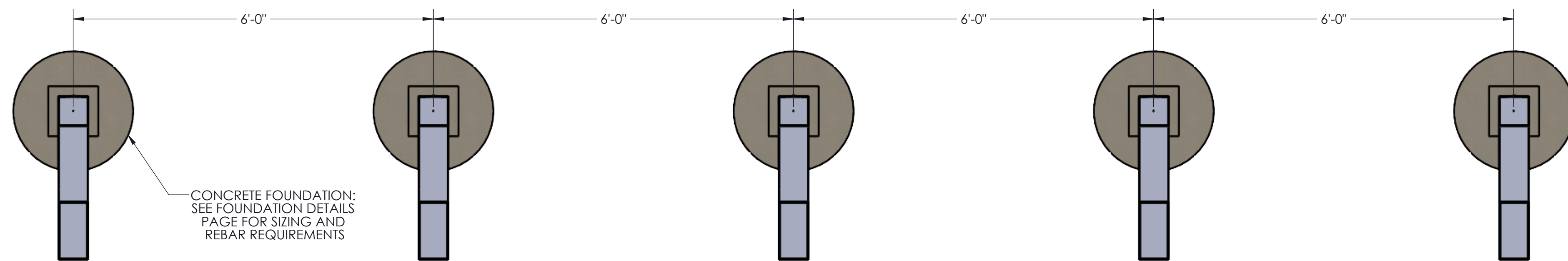
**GENERAL NOTES:**

- Max column height to be 9'-0". Canopy designed at 7'-6" to bottom of beam above finished concrete slab.
- See Foundation Details Page for concrete foundation design based on project location design criteria.
- Minimum footing size is based on 1500 PSF soil condition.
- Adhere to all local building codes, including layout, foundation design and depth (i.e. frost line depth)
- Canopy designs comply with USPS Developers and Builders Guide.
- Any canopy lighting required is provided by others and may require additional canopy framing to support.
- Reference 2010 ADA Standards for Accessible Design for concrete pad design.
- Reference Mitchell Metals CBU Canopy Cover Specifications - Section 105500 - Postal Specialties
- DESIGN CRITERIA: IBC 2018, ASCE 7-16, ADM 2015, Exposure Category = B, Risk Category = II, Live Load = 20 psf
  - Wind = 115mph (max), Ground Snow Load = 30psf (max) - 6"x6"x0.150" Columns, 6"x6"x0.130" Beams
  - Wind = 140mph (max), Ground Snow Load = 5psf (max) - 6"x6"x0.150" Columns, 6"x6"x0.130" Beams
  - Wind = 170mph (max), Ground Snow Load = 5psf (max) - 6"x8"x0.188" Columns, 6"x6"x0.130" Beams.

Ver antes de instalar la zapata de concreto



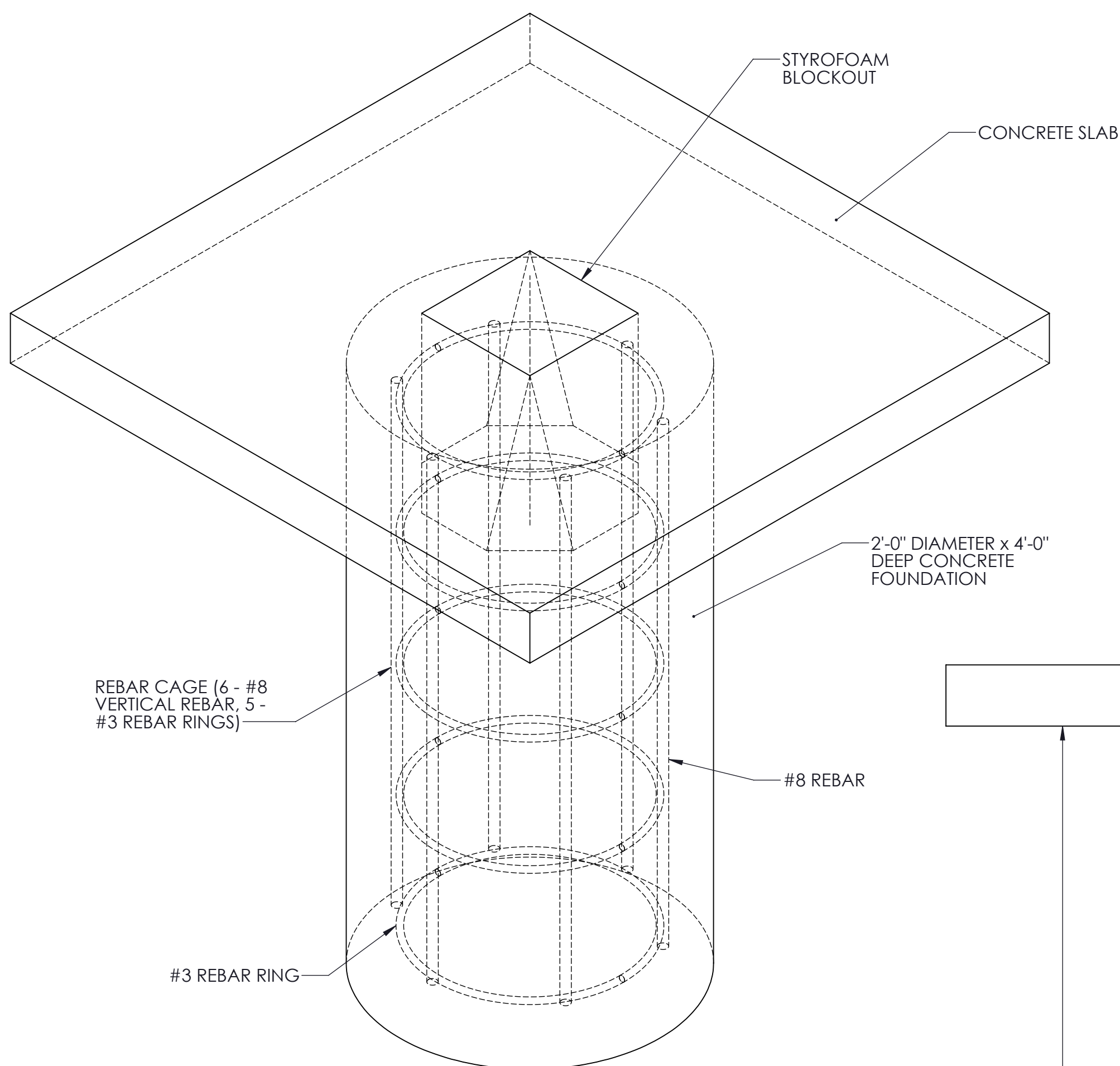
**TOP VIEW  
 COLUMN/MAILBOX/CONCRETE LAYOUT**



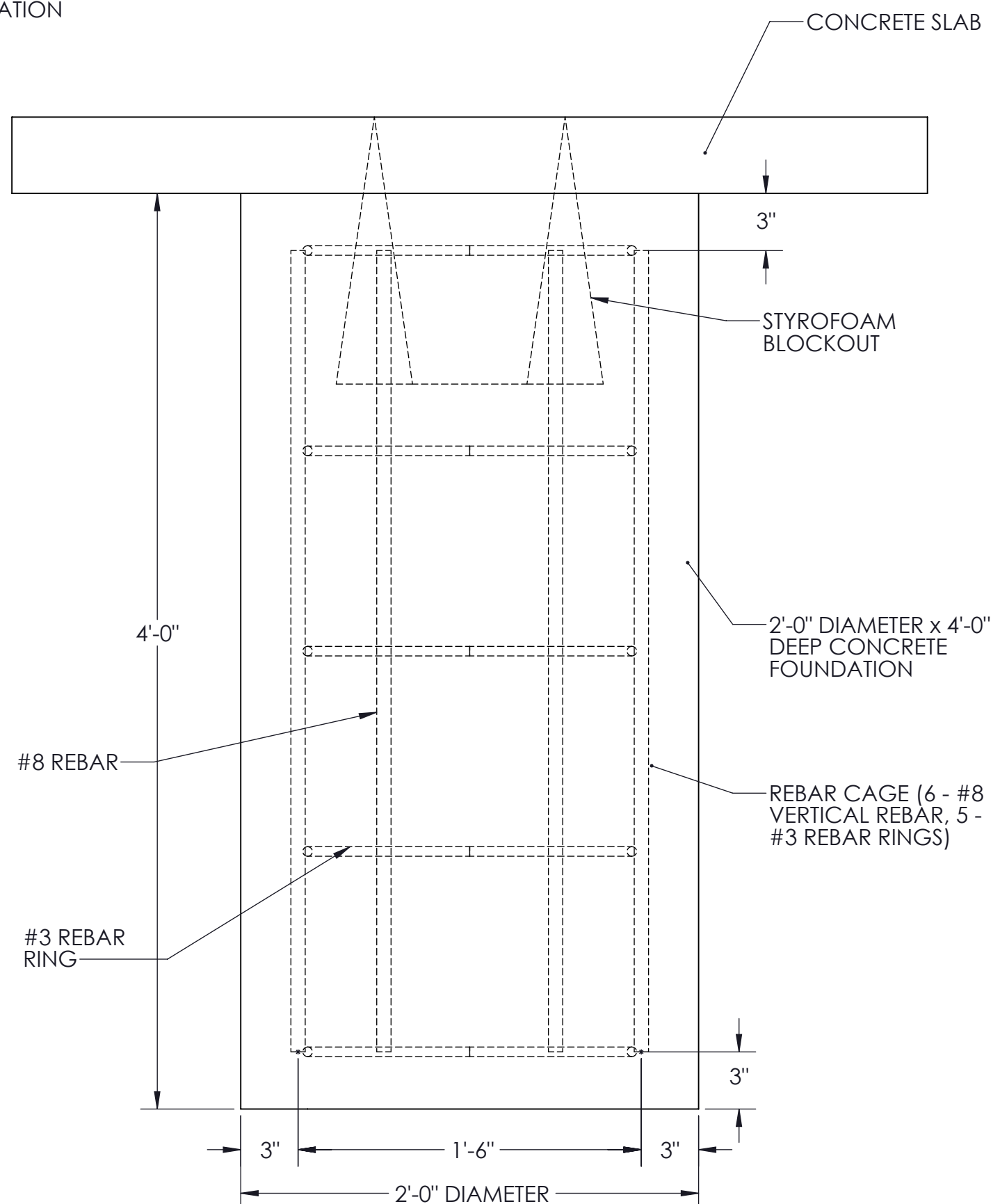
**TOP VIEW LAYOUT  
 FOOTING & BLOCKOUT**

STYLE:  
**8 CLUSTER BOX UNIT (CBU) CANOPY**

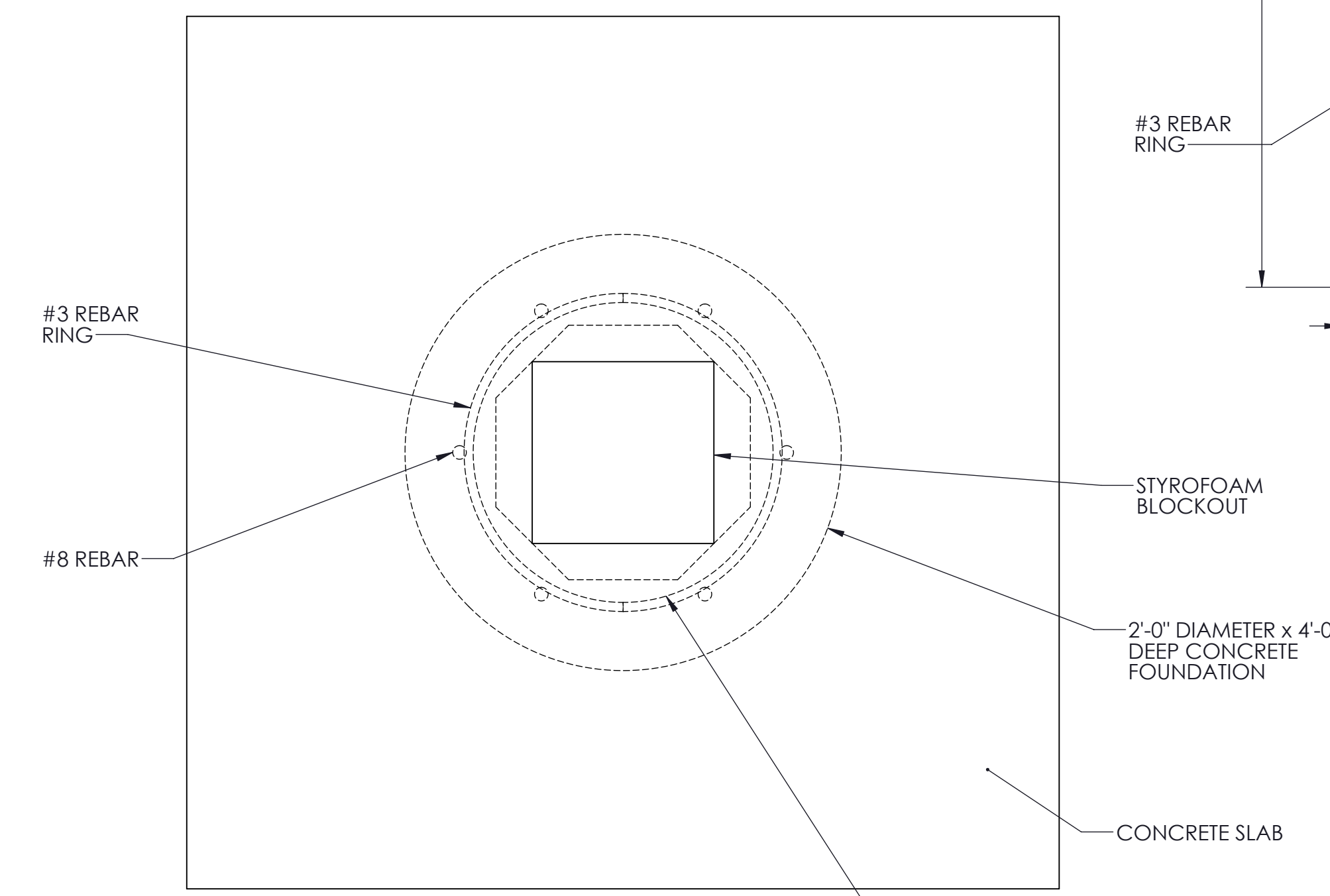
**Cantilever CBU Canopy Foundation Design** (Up to **115 mph** wind, Exp.=B, Risk Category = II, Ground Snow Load = 30psf AND Up to **140 mph** wind, Exp.=B, Risk Category = II, Ground Snow Load = 5psf



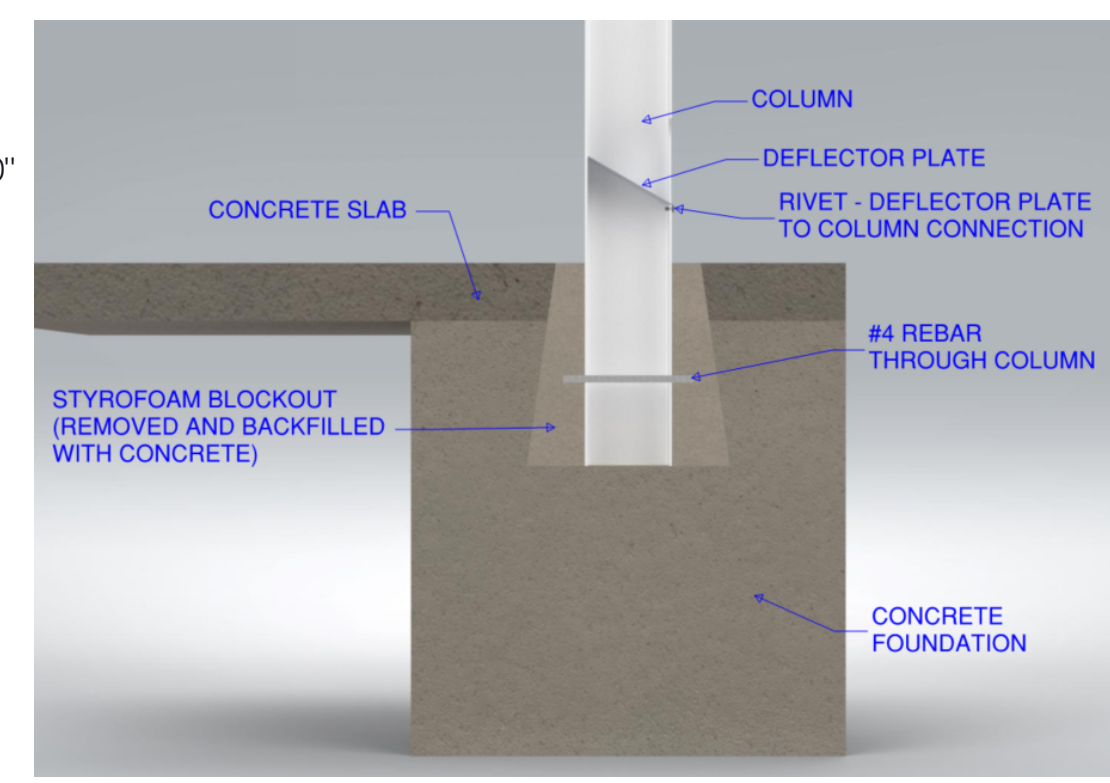
**\*NOTE: IF NO CONCRETE SLAB IS TO BE INSTALLED ON TOP OF CANOPY FOUNDATION, RECESS TOP OF STYROFOAM BLOCKOUT TO BE FLUSH WITH TOP OF CANOPY FOUNDATION**



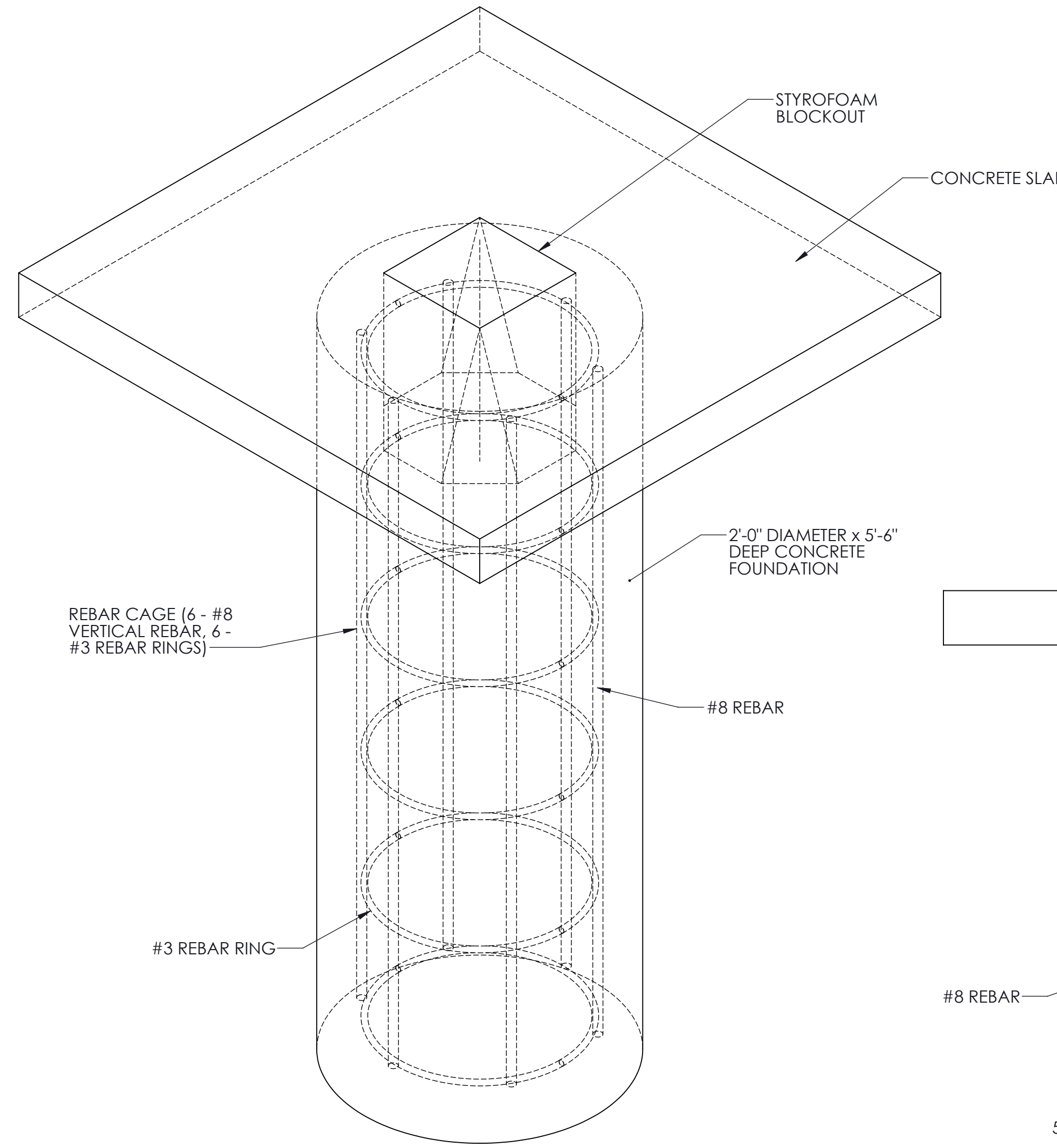
**SIDE VIEW**



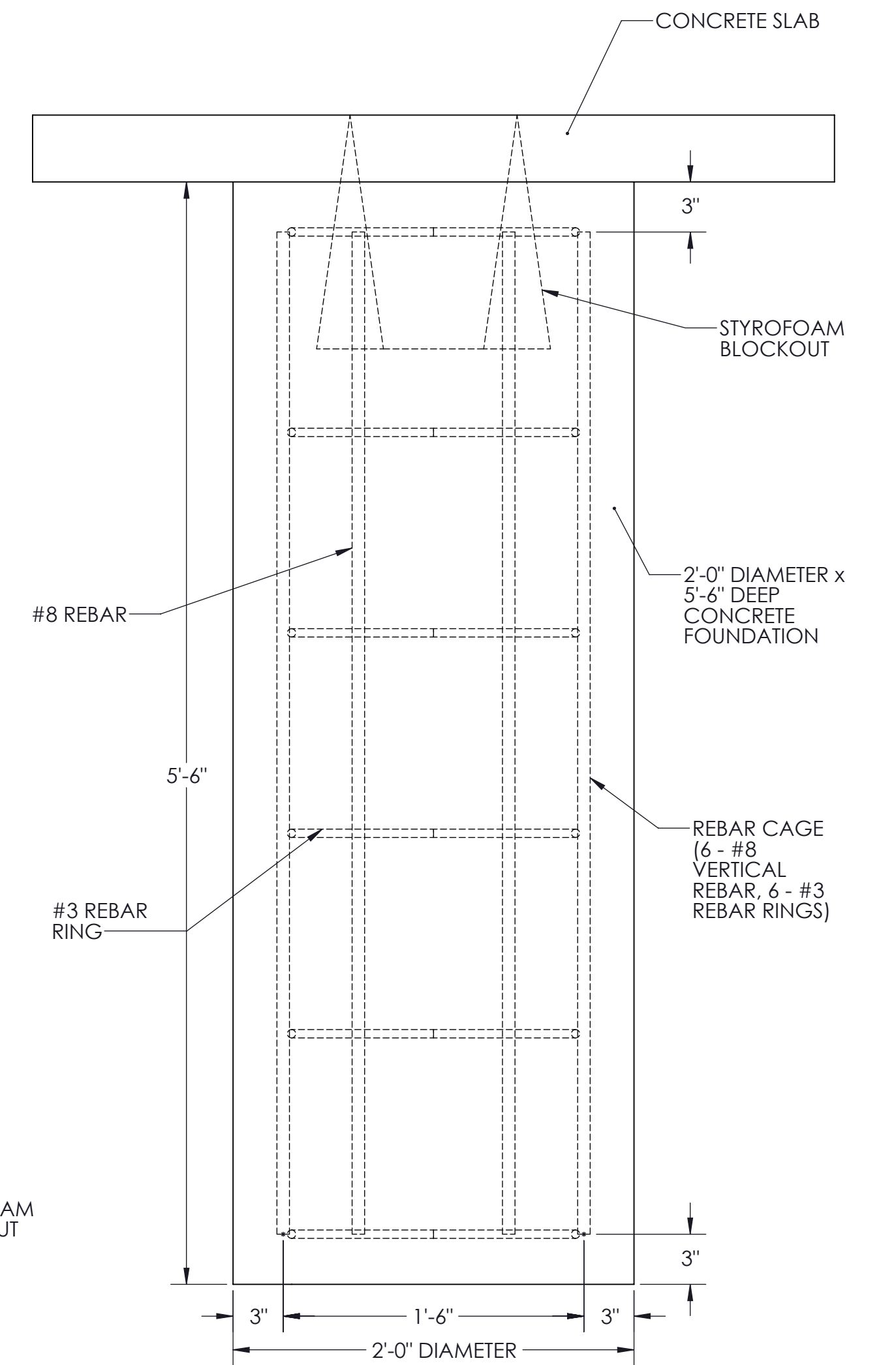
**TOP VIEW**



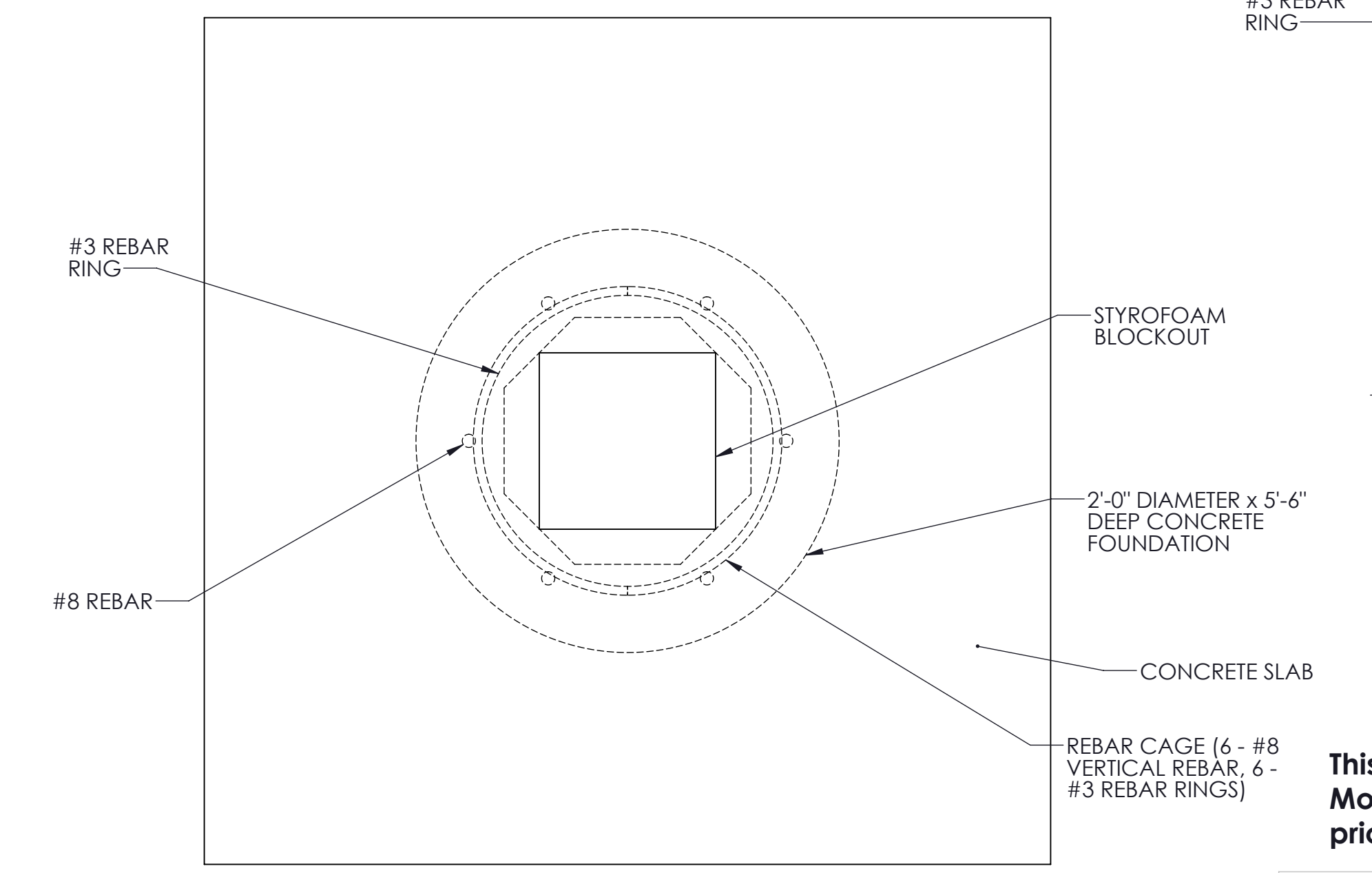
**Cantilever CBU Canopy Foundation Design** (Up to **170 mph** wind, Exp.=B, Risk Category = II, Ground Snow Load = 0psf



**\*NOTE: IF NO CONCRETE SLAB IS TO BE INSTALLED ON TOP OF CANOPY FOUNDATION, RECESS TOP OF STYROFOAM BLOCKOUT TO BE FLUSH WITH TOP OF CANOPY FOUNDATION**



**SIDE VIEW**



**TOP VIEW**

This document is property of Mitchell Metals, LLC. Modifications to this document are prohibited without prior written consent from Mitchell Metals, LLC.