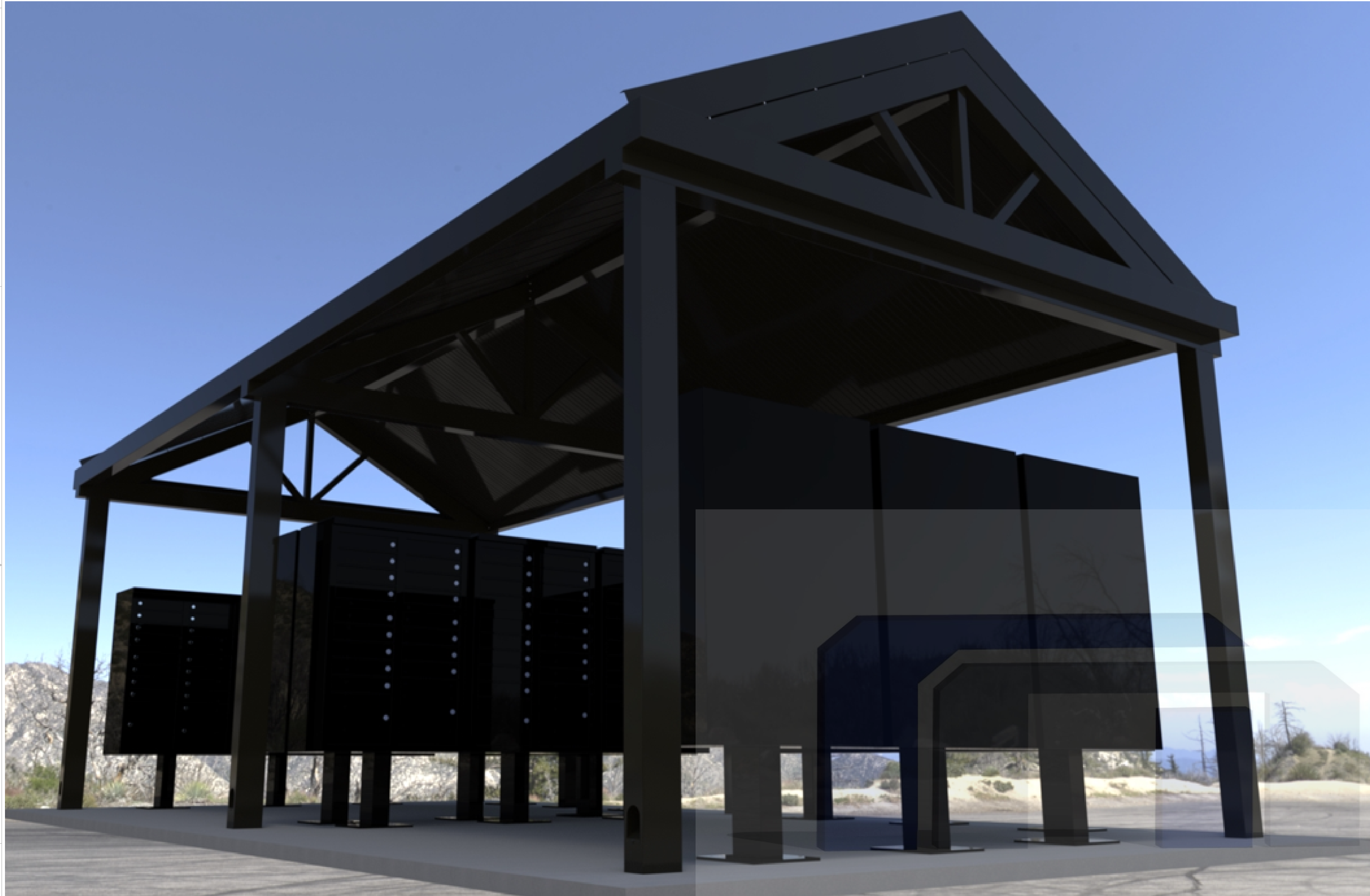


# CBU MAILBOX GABLE CANOPY



1761 McCoba Drive, Suite A, Smyrna, GA 30080  
Phone: (770) 431-7300 Fax: (770) 431-7305

This document is property of Mitchell Metals, LLC. Modifications to this document are prohibited prior written consent from Mitchell Metals, LLC.

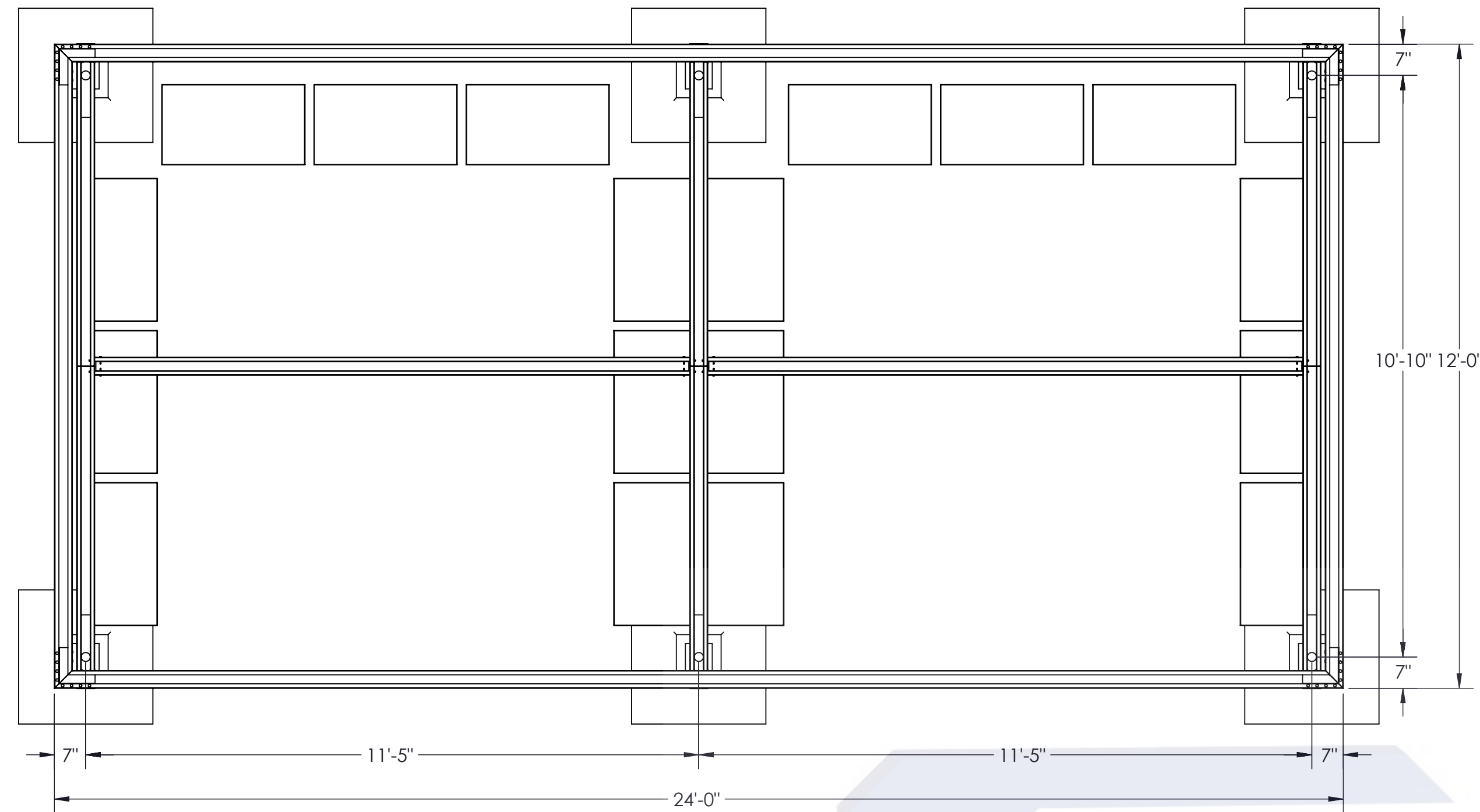
STAMP

STYLE:

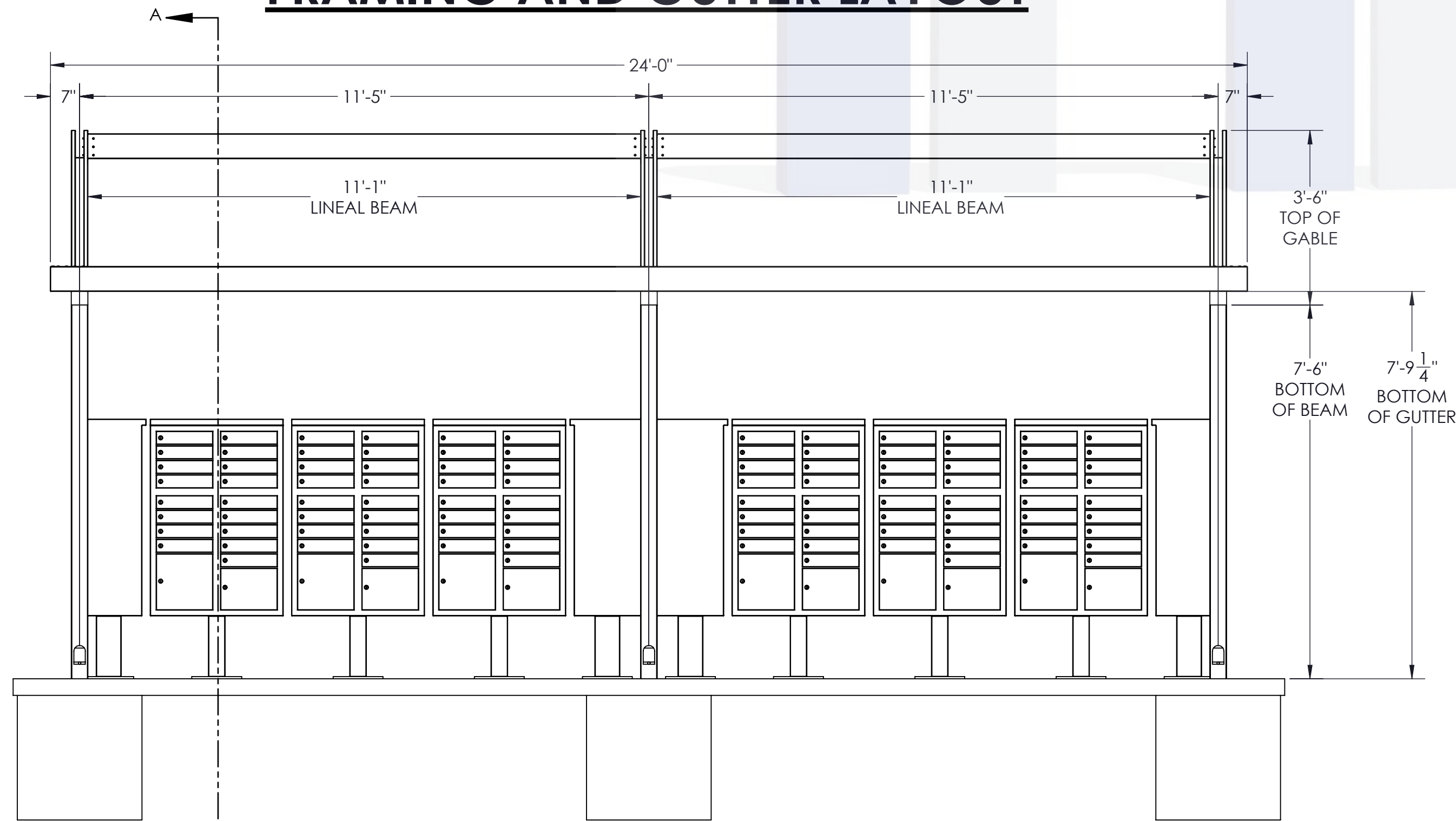
**CBU MAILBOX GABLE CANOPY  
(12'-24')-V1**

This document is property of Mitchell Metals, LLC. Modifications to this document are prohibited prior written consent from Mitchell Metals, LLC.

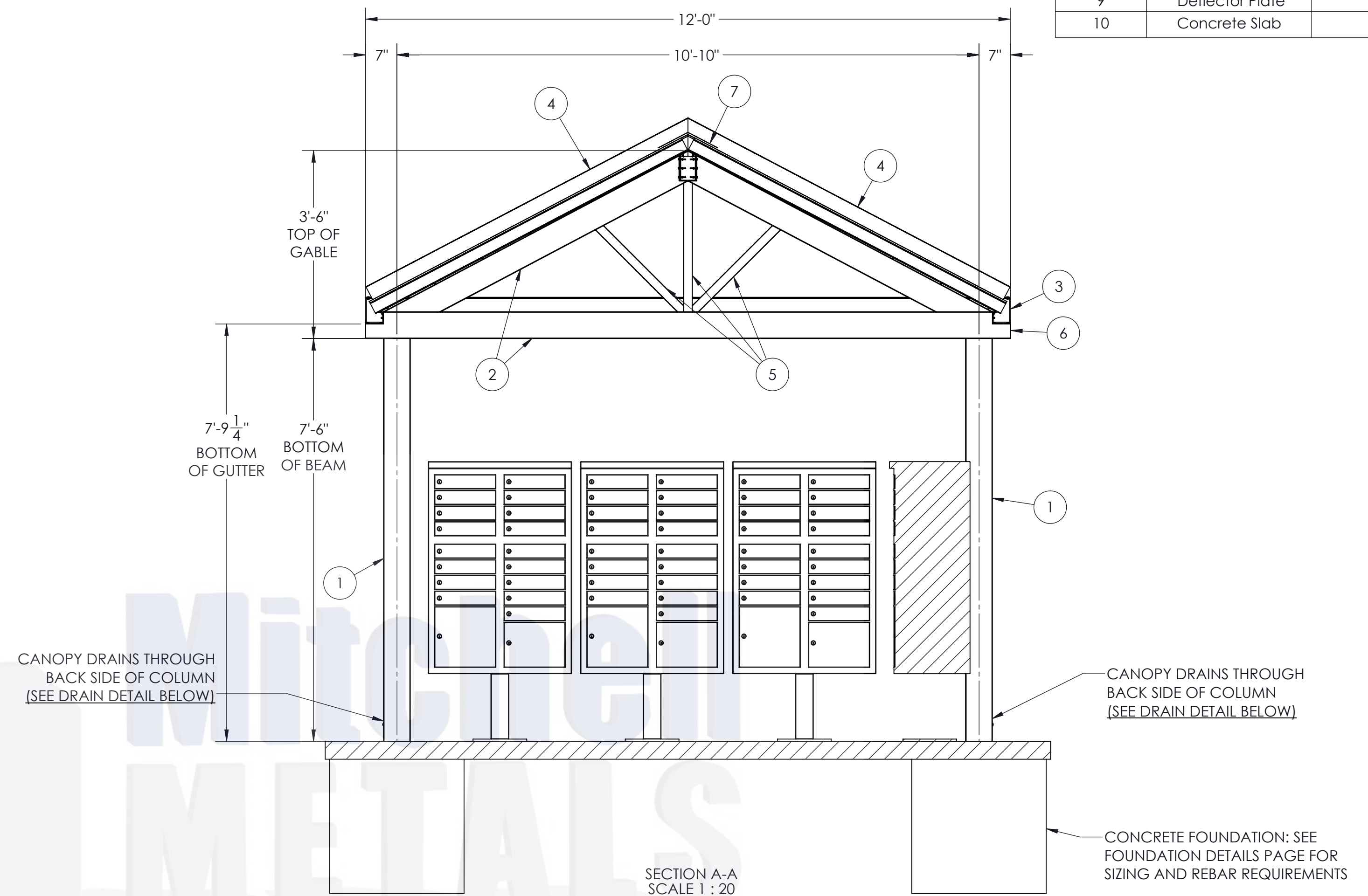
ITEM NO.	PART NUMBER	DESCRIPTION
1	6063-T6 Aluminum	Column (See Page 3 for Size)
2	6063-T6 Aluminum	Beam (See Page 3 for Size)
3	6063-T6 Aluminum	4X6 GUTTER
4	6063-T6 Aluminum	6 False Fascia
5	6063-T6 Aluminum	2 x 2 x .250 Square Tube
6	6063-T6 Aluminum	4 End Cap
7	Aluminum	Ridge Cap Flashing .040 Thickness
8	Aluminum	3 x 12 x 0.032 Roll Formed Flat Pan
9	Deflector Plate	Deflector Plate
10	Concrete Slab	By Others



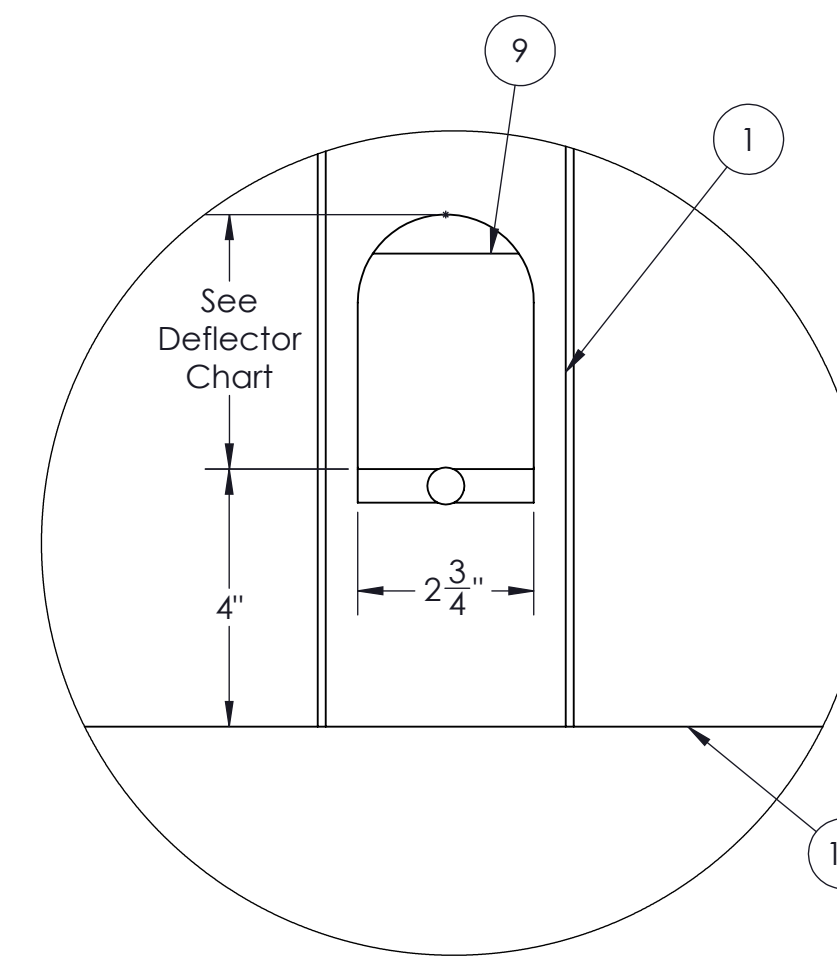
**TOP VIEW - NO DECKING  
FRAMING AND GUTTER LAYOUT**



**ELEVATION VIEW  
FRAMING AND GUTTER LAYOUT**



**SECTION VIEW**



**COLUMN DRAIN  
HOLE DETAIL  
SCALE 1 : 3**

Deflector Plate Cutout Height	Column Size
4"	4"x6"
6"	6"x6"

STAMP

STYLE: **CBU MAILBOX GABLE CANOPY  
(12'-24')-V1**

This document is property of Mitchell Metals, LLC. Modifications to this document are prohibited prior written consent from Mitchell Metals, LLC.

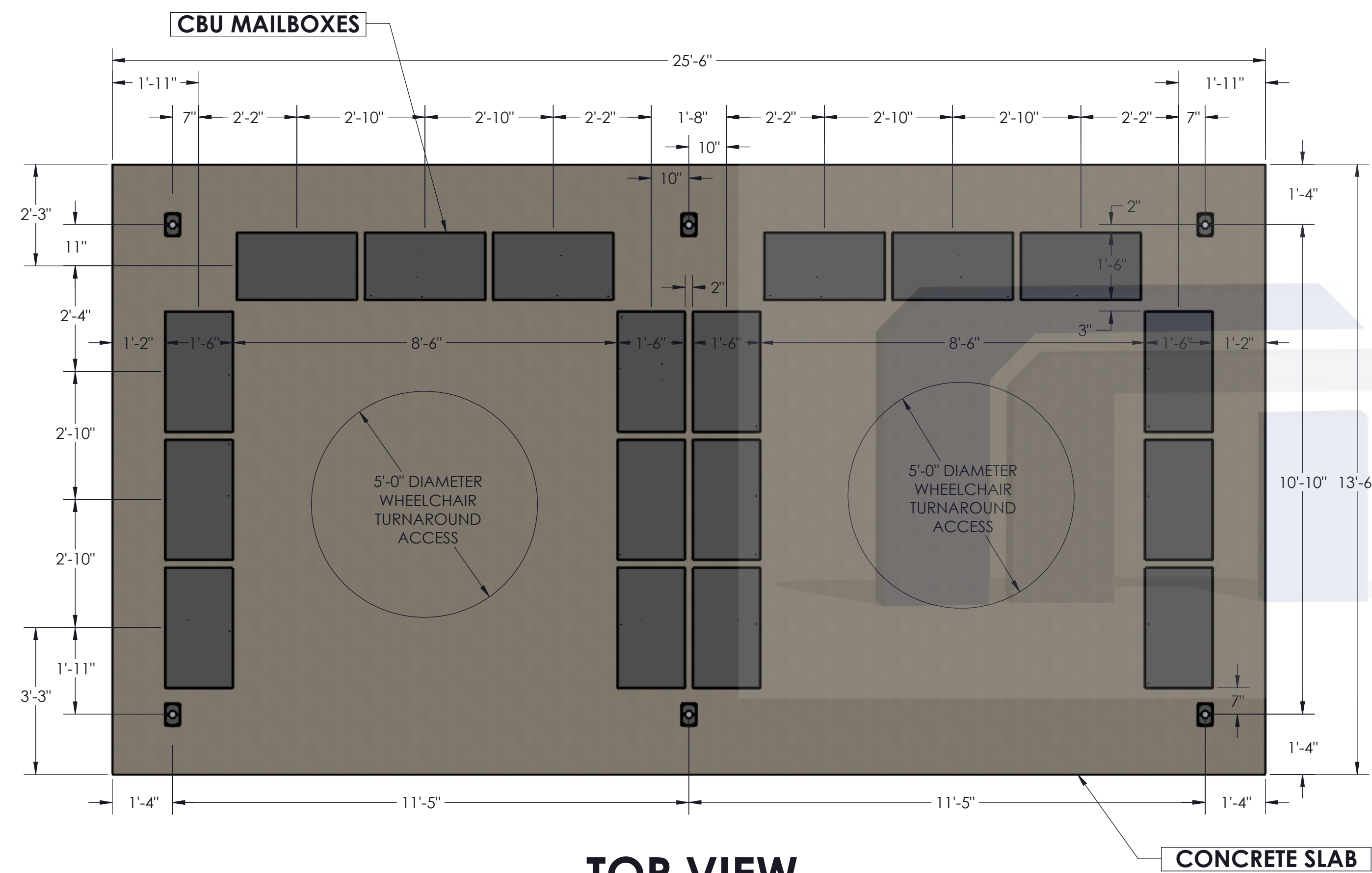
View before Footing and Blockout Installation



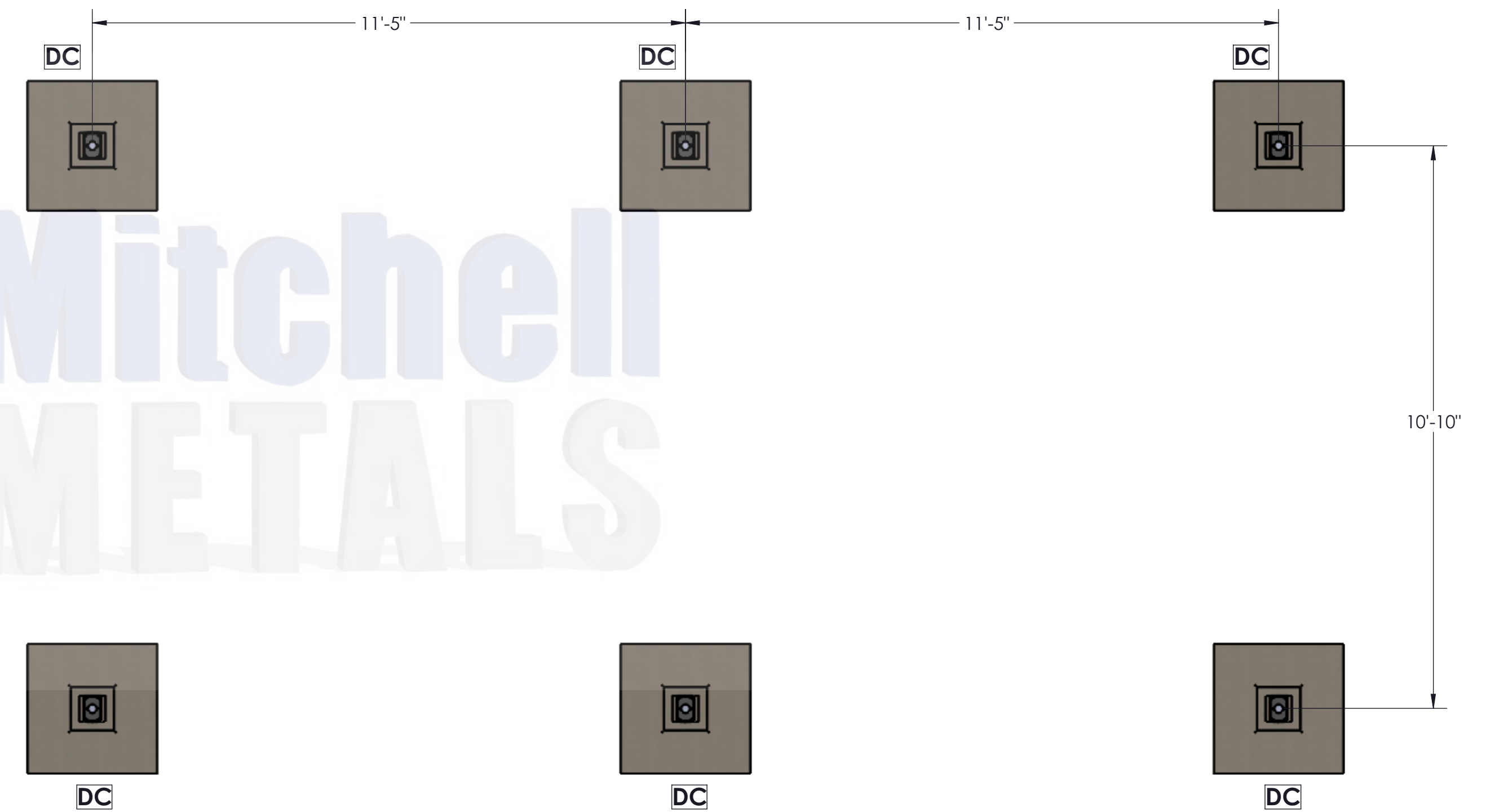
Ver antes de instalar la zapata de concreto

**GENERAL NOTES:**

- Max column height to be 9'-0". Canopy designed at 7'-6" to bottom of beam above finished concrete slab.
- See Foundation Details Page for concrete foundation design based on project location design criteria.
- Minimum footing size is based on 1500 PSF soil condition.
- Adhere to all local building codes, including layout, foundation design and depth (i.e. frost line depth)
- Canopy designs comply with USPS Developers and Builders Guide.
- Any canopy lighting required is provided by others and may require additional canopy framing to support.
- Reference 2010 ADA Standards for Accessible Design for concrete pad design.
- Reference Mitchell Metals CBU Canopy Cover Specifications - Section 105500 - Postal Specialties
- **DESIGN CRITERIA:** IBC 2018, ASCE 7-16, ADM 2015, Exposure Category = B, Risk Category = II, Live Load = 20 psf
  - Wind = 115mph (max), Ground Snow Load = 30psf (max) - 4"x6"x0.150" Columns, 4"x6"x0.125" Beams
  - Wind = 140mph (max), Ground Snow Load = 5psf (max) - 6"x6"x0.150" Columns, 6"x6"x0.130" Beams



**TOP VIEW  
 COLUMN/MAILBOX/CONCRETE LAYOUT**



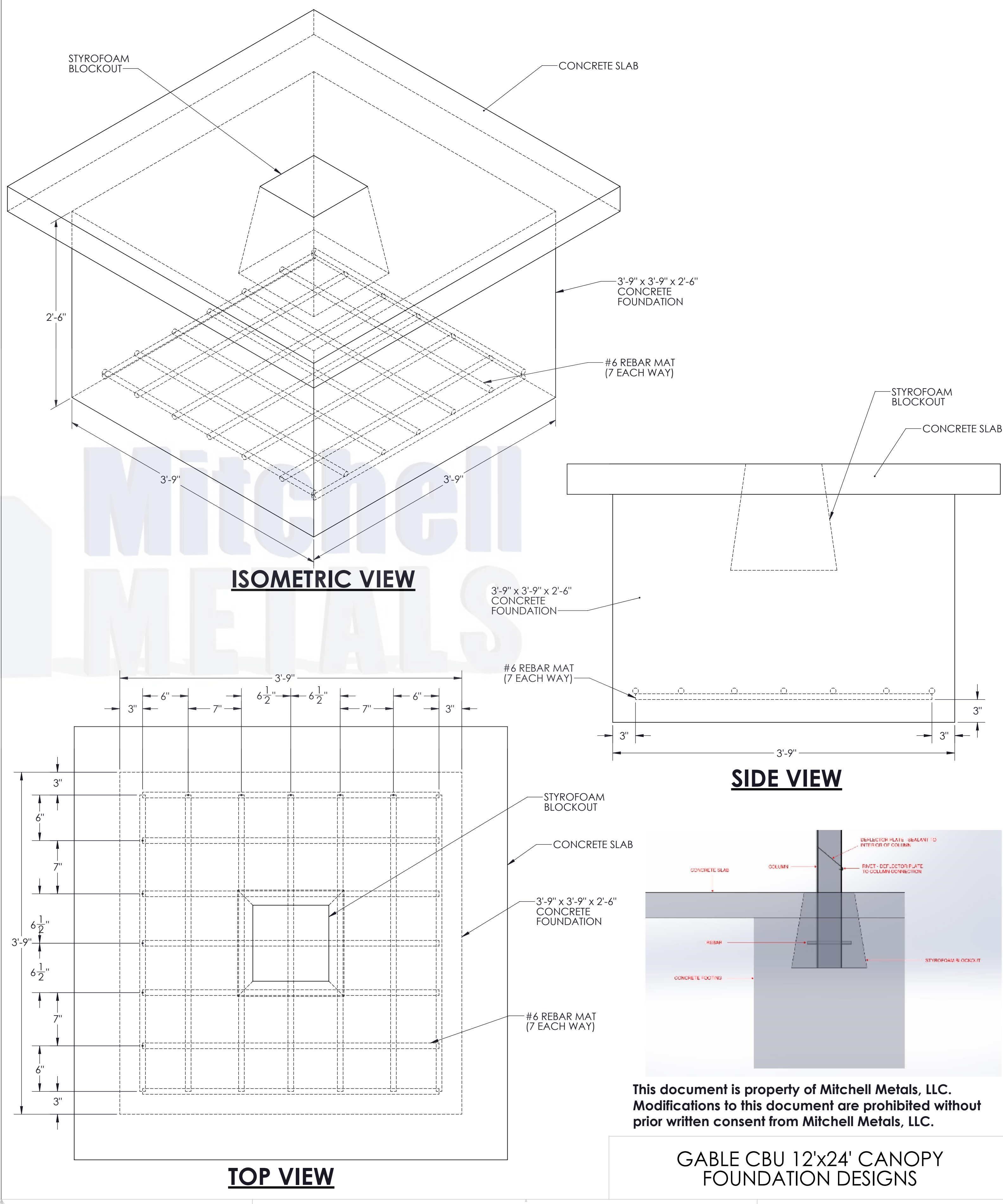
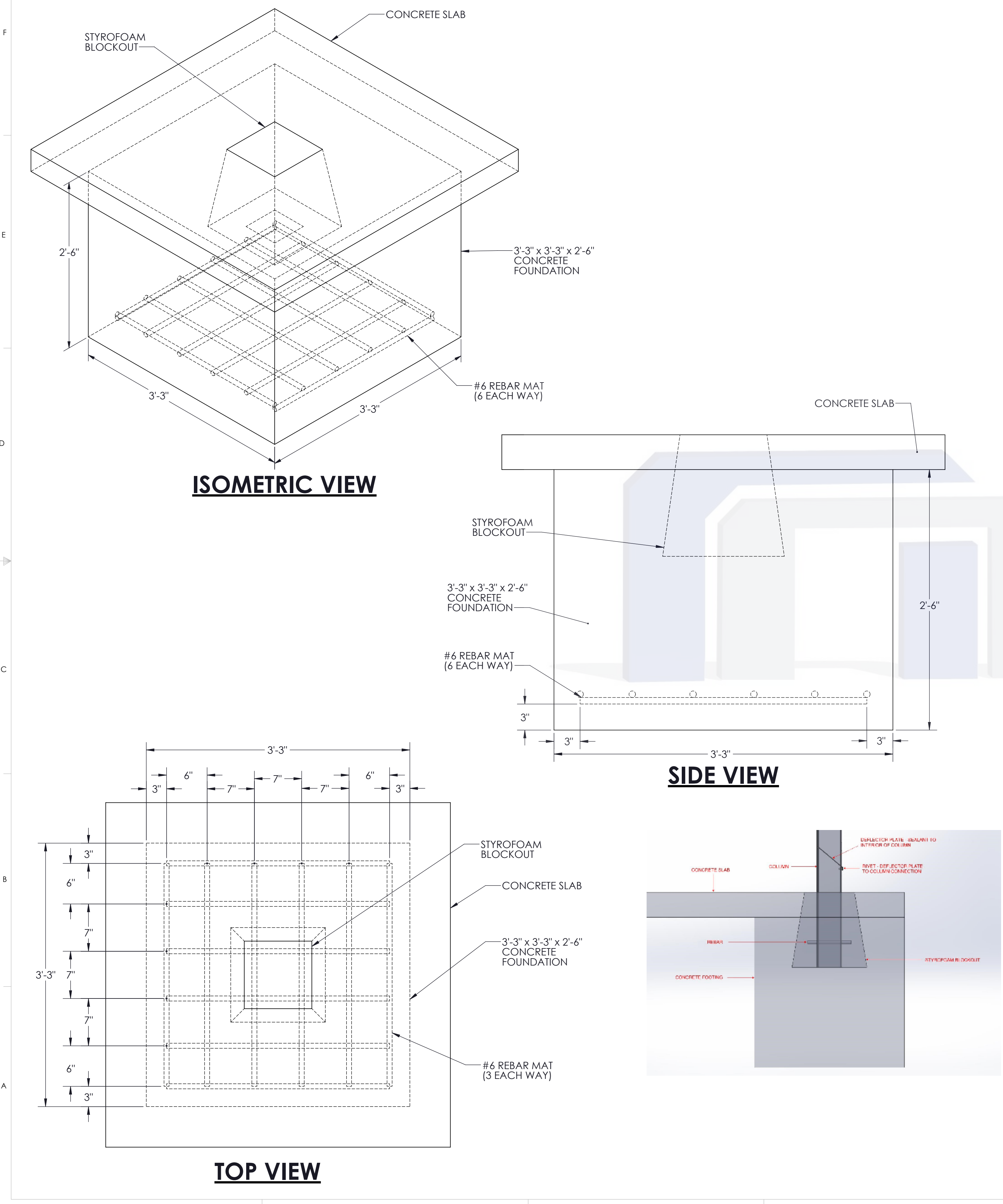
**TOP VIEW  
 FOOTING/COLUMN LAYOUT**

STAMP

STYLE: **CBU MAILBOX GABLE CANOPY  
 (12'-24')-V1**

**Gable CBU 12'x24' Canopy Foundation Design** (Up to 115 mph wind, Exp.=B, Risk Category = II, Ground Snow Load = 30psf)

**Gable CBU 12'x24' Canopy Foundation Design** (Up to 140 mph wind, Exp.=B, Risk Category = II, Ground Snow Load = 5psf)



This document is property of Mitchell Metals, LLC. Modifications to this document are prohibited without prior written consent from Mitchell Metals, LLC.