

# 12' x 24' PICKLEBALL COVER



1000 Loudermilk Drive Bldg 400 Marietta, GA 30060  
Phone: (470) 870-7733

**This document is property of Mitchell Metals, LLC. Modifications to this document are prohibited prior written consent from Mitchell Metals, LLC.**

STAMP

STYLE:

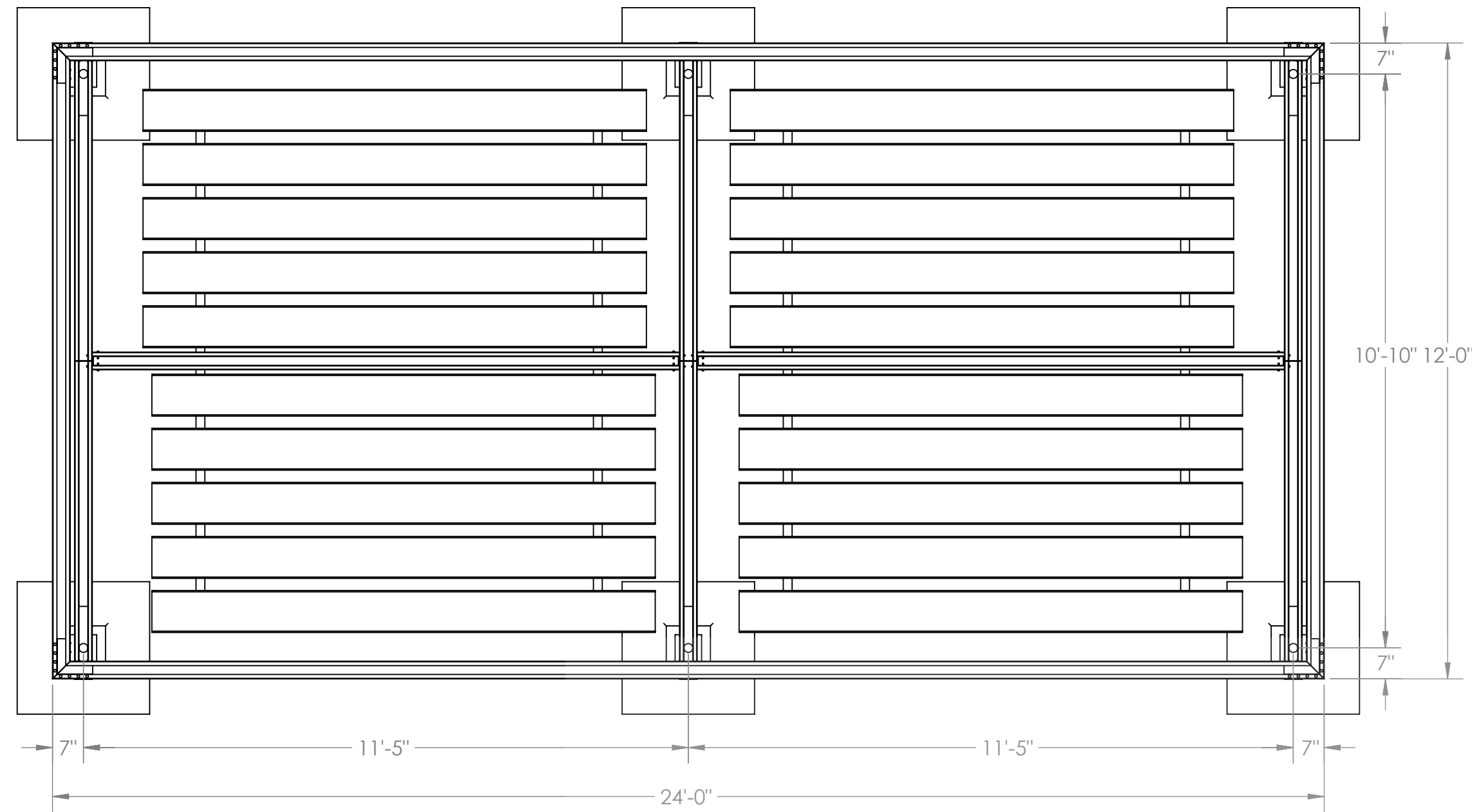
**12'x24' PICKLEBALL COVER**



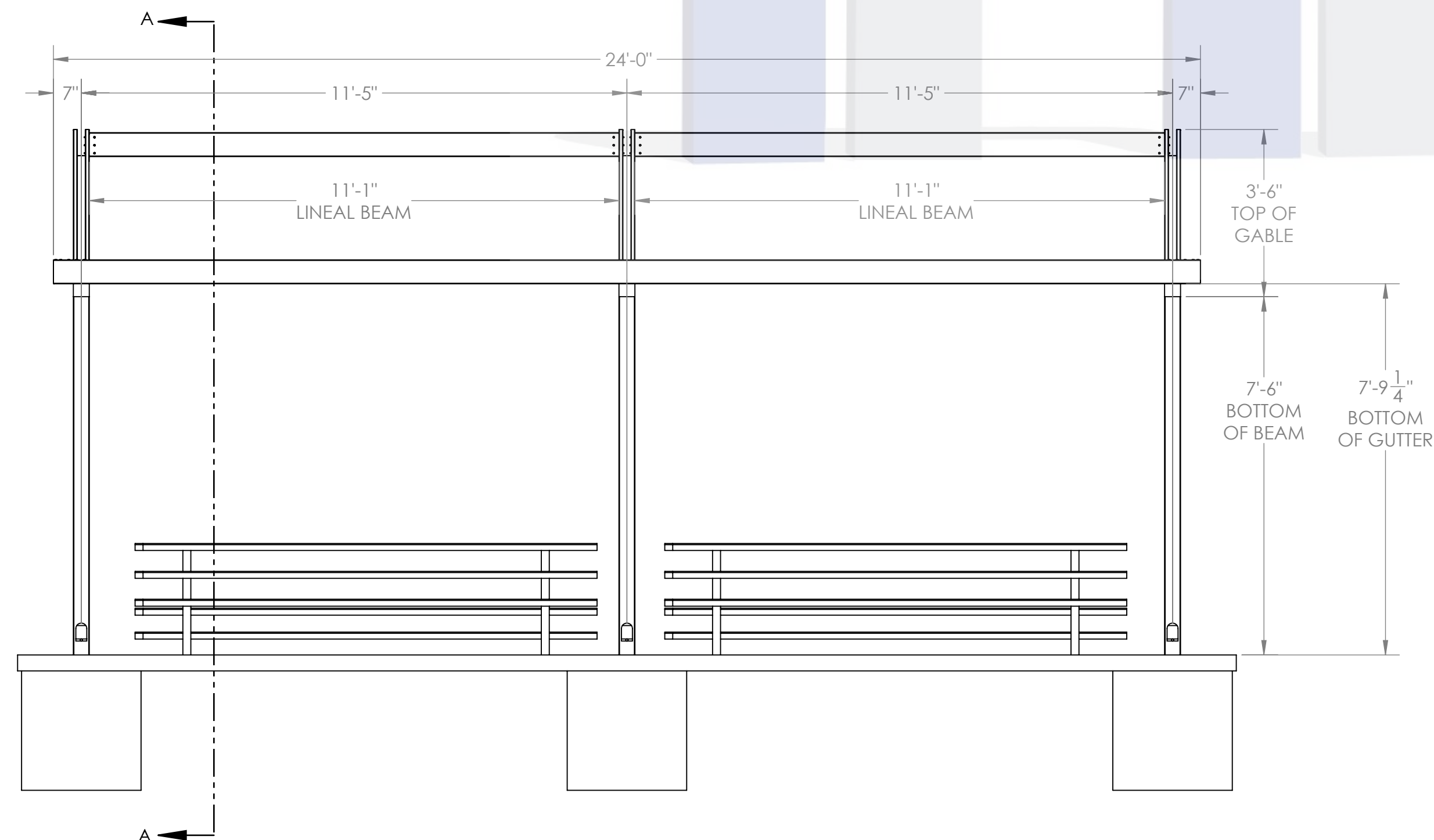
1000 Loudermilk Drive, Bldg 400, Marietta, GA 30060  
Phone: (470) 870-7733

This document is property of Mitchell Metals, LLC. Modifications to this document are prohibited prior written consent from Mitchell Metals, LLC.

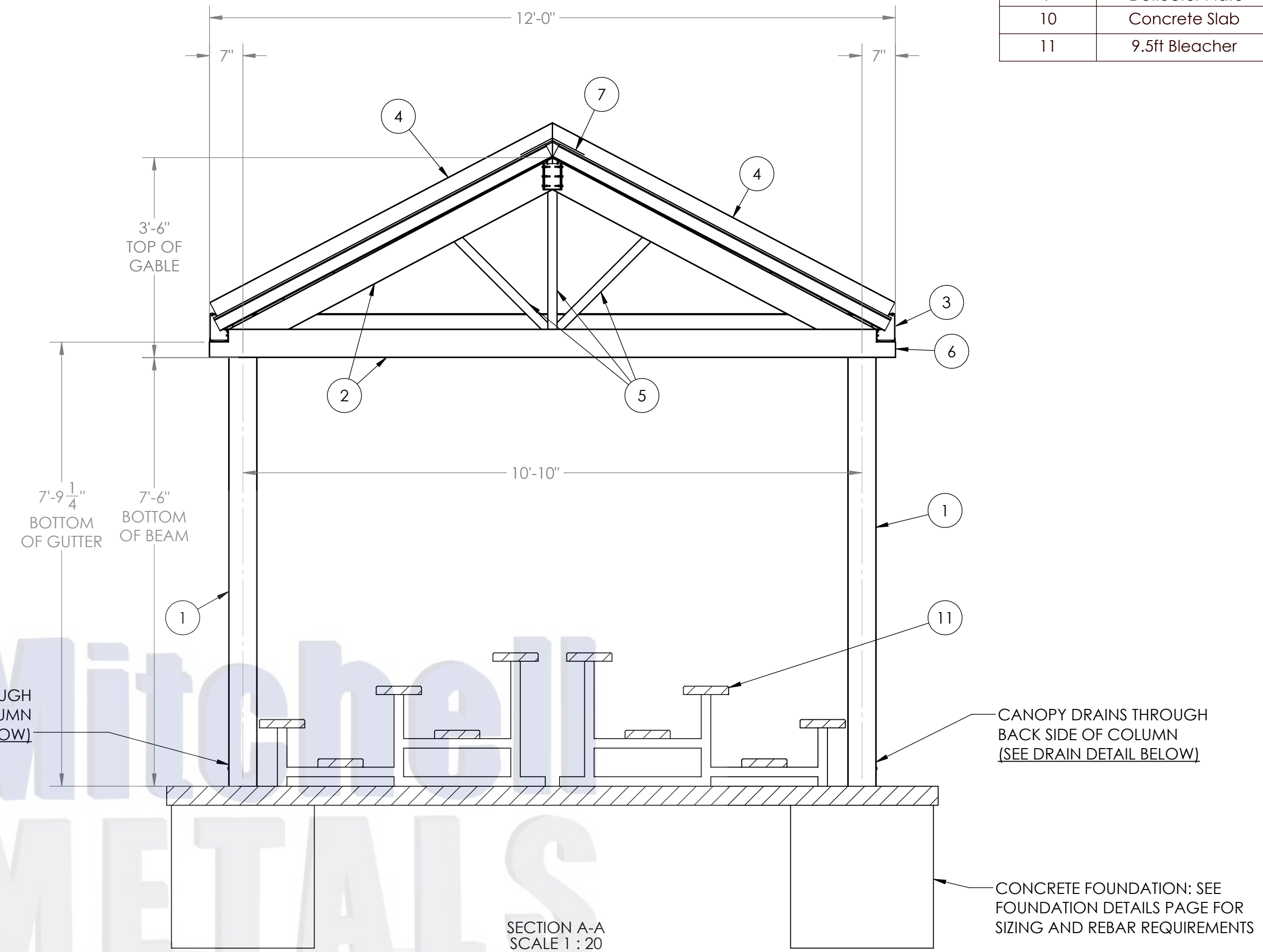
| ITEM NO. | PART NUMBER      | DESCRIPTION                         |
|----------|------------------|-------------------------------------|
| 1        | 6063-T6 Aluminum | Column (See Page 3 for Size)        |
| 2        | 6063-T6 Aluminum | Beam (See Page 3 for Size)          |
| 3        | 6063-T6 Aluminum | 4X6 GUTTER                          |
| 4        | 6063-T6 Aluminum | 6 False Fascia                      |
| 5        | 6063-T6 Aluminum | 2 x 2 x .250 Square Tube            |
| 6        | 0.080" Aluminum  | Welded End Cap                      |
| 7        | Aluminum         | Ridge Cap Flashing .040 Thickness   |
| 8        | Aluminum         | 3 x 12 x 0.032 Roll Formed Flat Pan |
| 9        | Deflector Plate  | Deflector Plate                     |
| 10       | Concrete Slab    | By Others                           |
| 11       | 9.5ft Bleacher   | By Others                           |



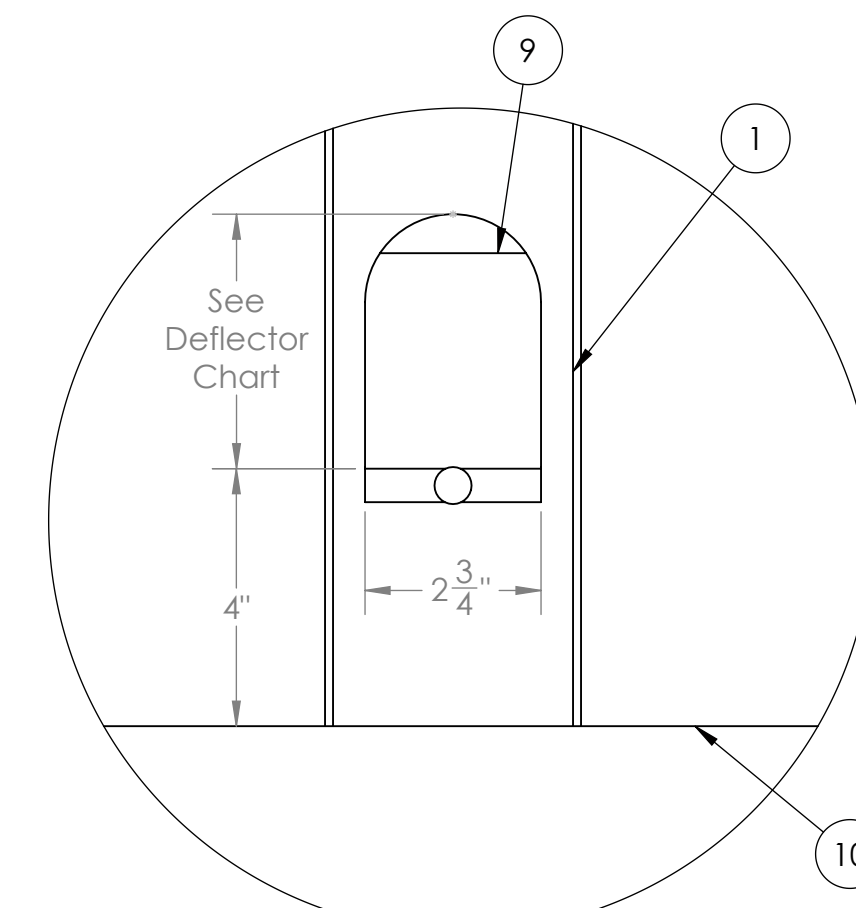
**TOP VIEW - NO DECKING  
FRAMING AND GUTTER LAYOUT**



**ELEVATION VIEW  
FRAMING AND GUTTER LAYOUT**



**SECTION VIEW**



**COLUMN DRAIN  
HOLE DETAIL  
SCALE 1:3**

| Deflector Plate Cutout Height | Column Size |
|-------------------------------|-------------|
| 4"                            | 4"x6"       |
| 6"                            | 6"x6"       |

STYLE:

STAMP

**12'x24' PICKLEBALL COVER**

This document is property of Mitchell Metals, LLC. Modifications to this document are prohibited prior written consent from Mitchell Metals, LLC.

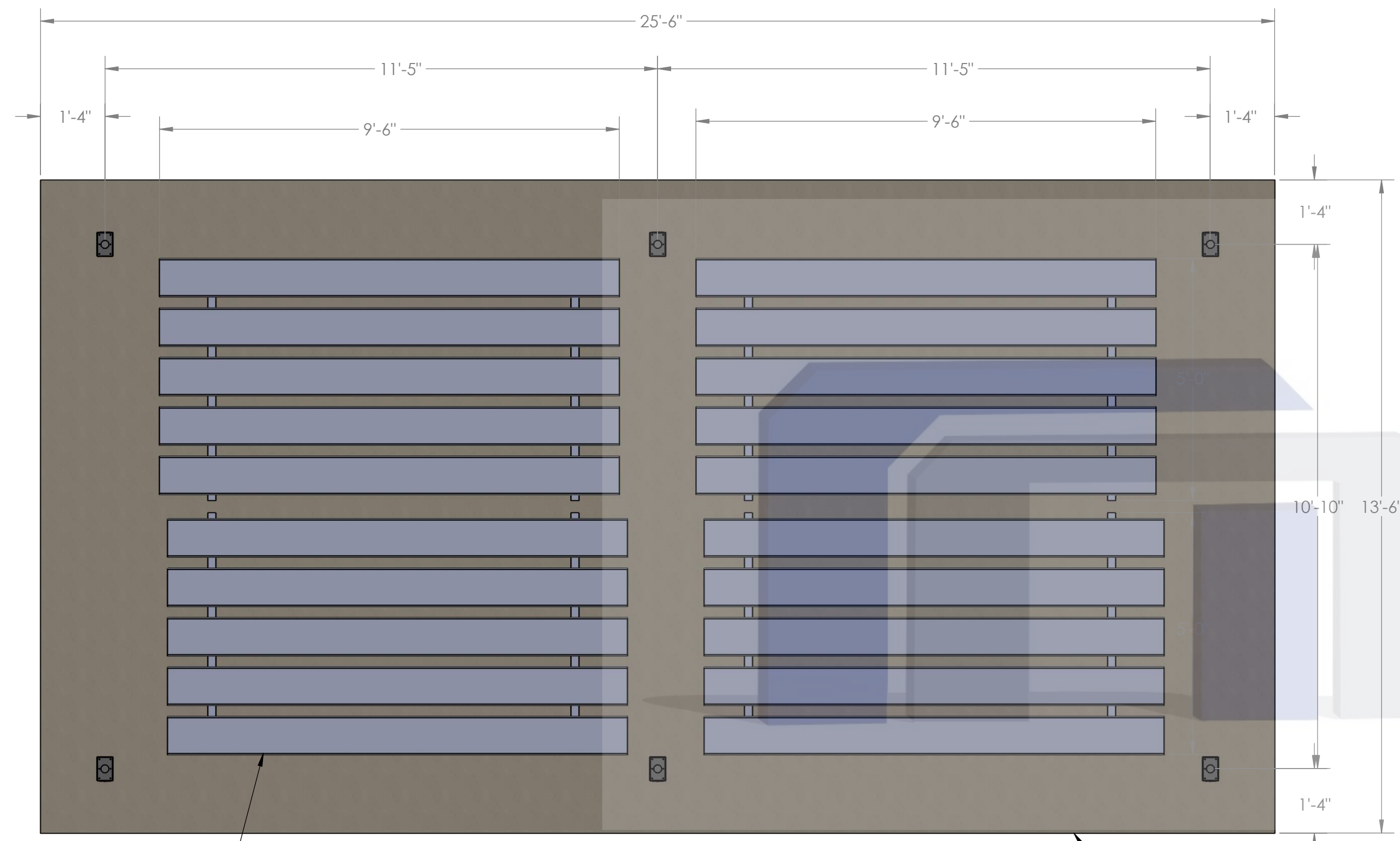
View Before Footing and Blockout Installation



Ver antes de instalar la zapata de concreto

**GENERAL NOTES:**

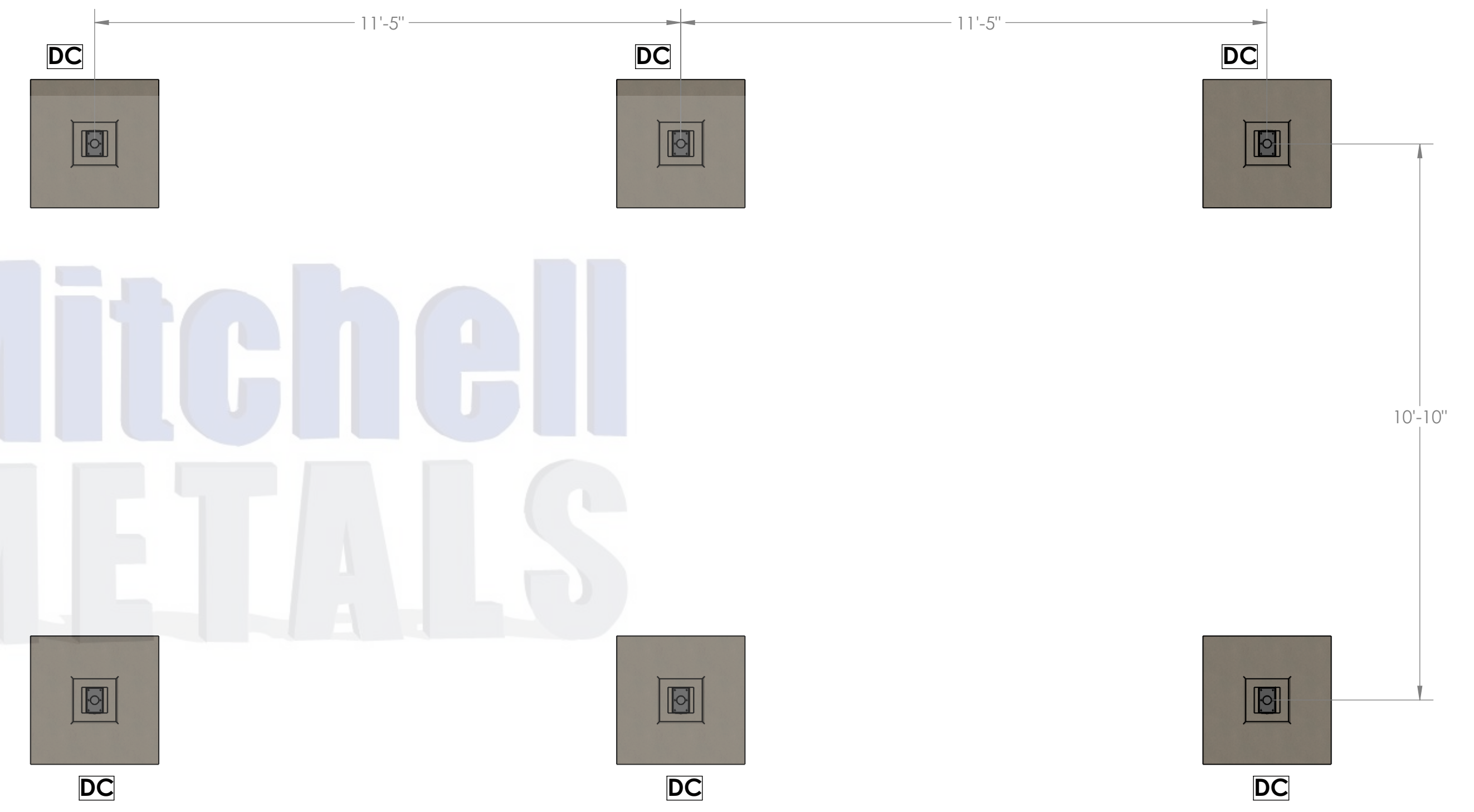
- Max column height to be 9'-0". Canopy designed at 7'-6" to bottom of beam above finished concrete slab.
- See Foundation Details Page for concrete foundation design based on project location design criteria.
- Minimum footing size is based on 1500 PSF soil condition.
- Adhere to all local building codes, including layout, foundation design and depth ( i.e. frost line depth).
- Any canopy lighting required is provided by others and may require additional canopy framing to support.
- Reference 2010 ADA Standards for Accessible Design for concrete pad design.
- **DESIGN CRITERIA:** IBC 2018, ASCE 7-16, ADM 2015, Exposure Category = B, Risk Category = II, Live Load = 20 psf.
  - Wind = 115mph (max), Ground Snow Load = 30psf (max) - 4"x6"x0.150" Columns, 4"x6"x0.125" Beams
  - Wind = 140mph (max), Ground Snow Load = 5psf (max) - 6"x6"x0.150" Columns, 6"x6"x0.130" Beams



BLEACHERS  
(By Others)

CONCRETE SLAB  
(By Others)

**TOP VIEW  
COLUMN/MAILBOX/CONCRETE LAYOUT**

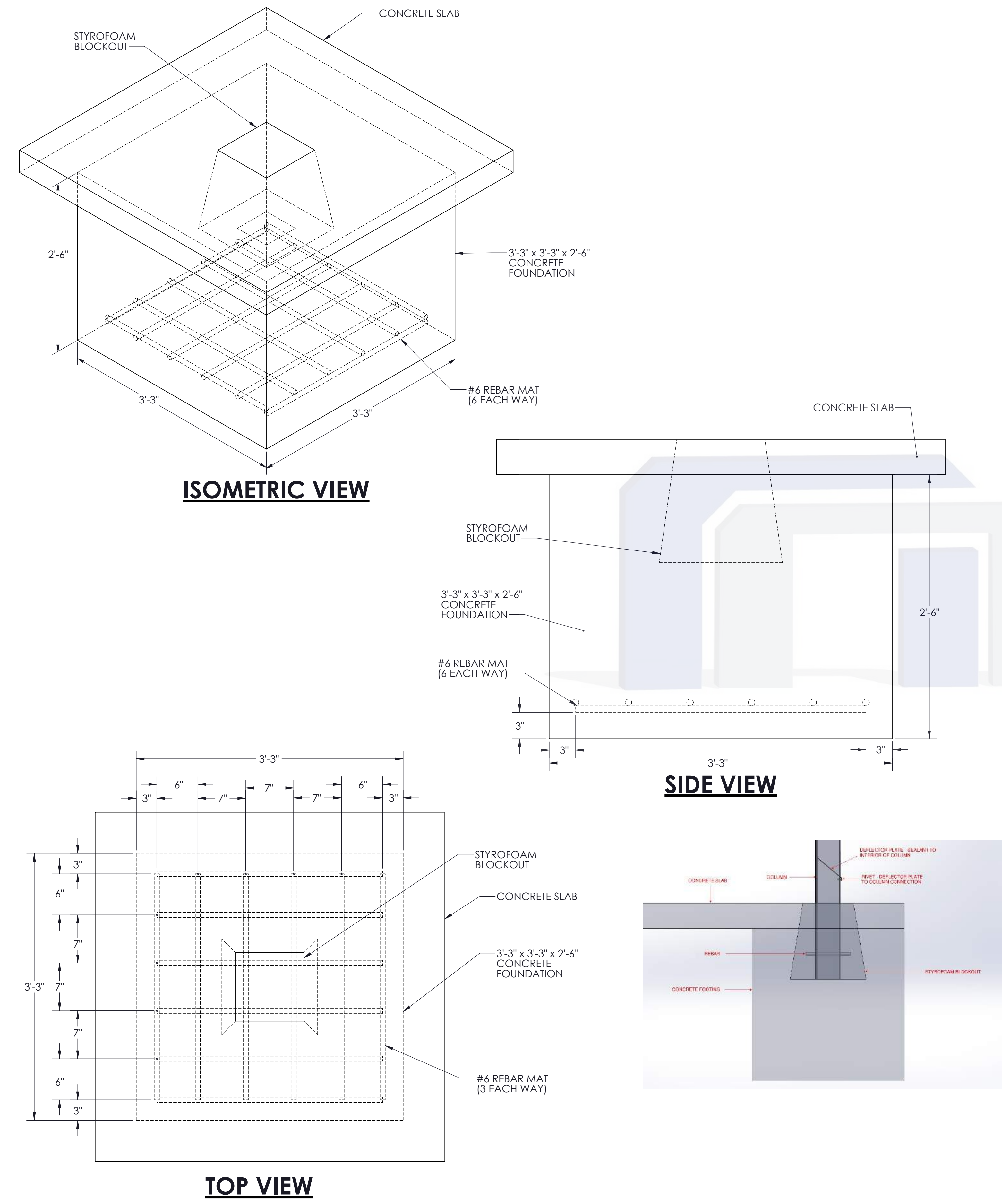


**TOP VIEW  
FOOTING/COLUMN LAYOUT**

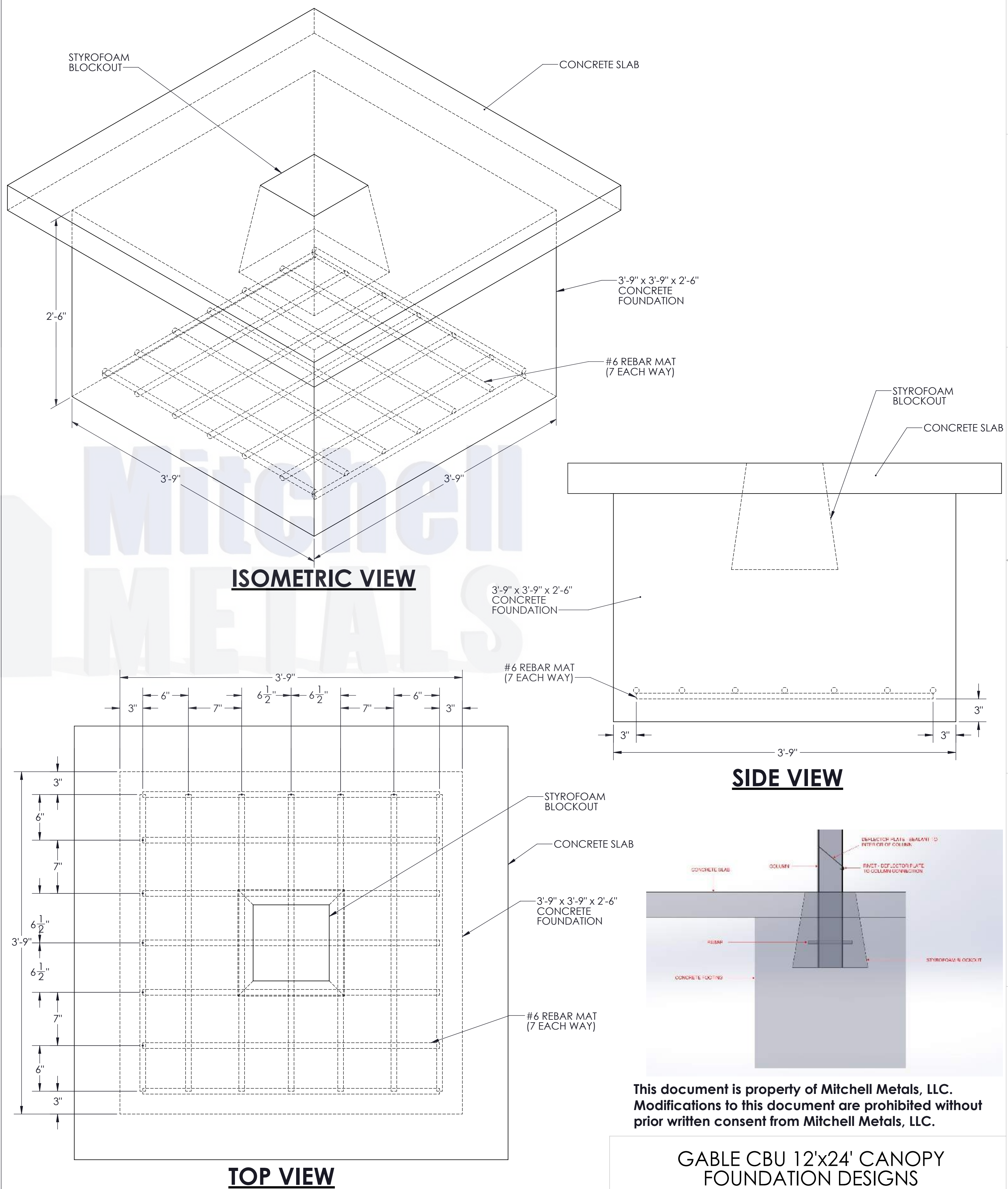
STAMP

STYLE:  
**12'x24' PICKLEBALL COVER**

**Gable CBU 12'x24' Canopy Foundation Design (Up to 115 mph wind, Exp.=B, Risk Category = II, Ground Snow Load = 30psf)**



**Gable CBU 12'x24' Canopy Foundation Design (Up to 140 mph wind, Exp.=B, Risk Category = II, Ground Snow Load = 5psf)**



This document is property of Mitchell Metals, LLC. Modifications to this document are prohibited without prior written consent from Mitchell Metals, LLC.