

BIKE RACK COVER



1000 Loudermilk Drive Bldg 400, GA 30060
Phone: (470) 870-7733

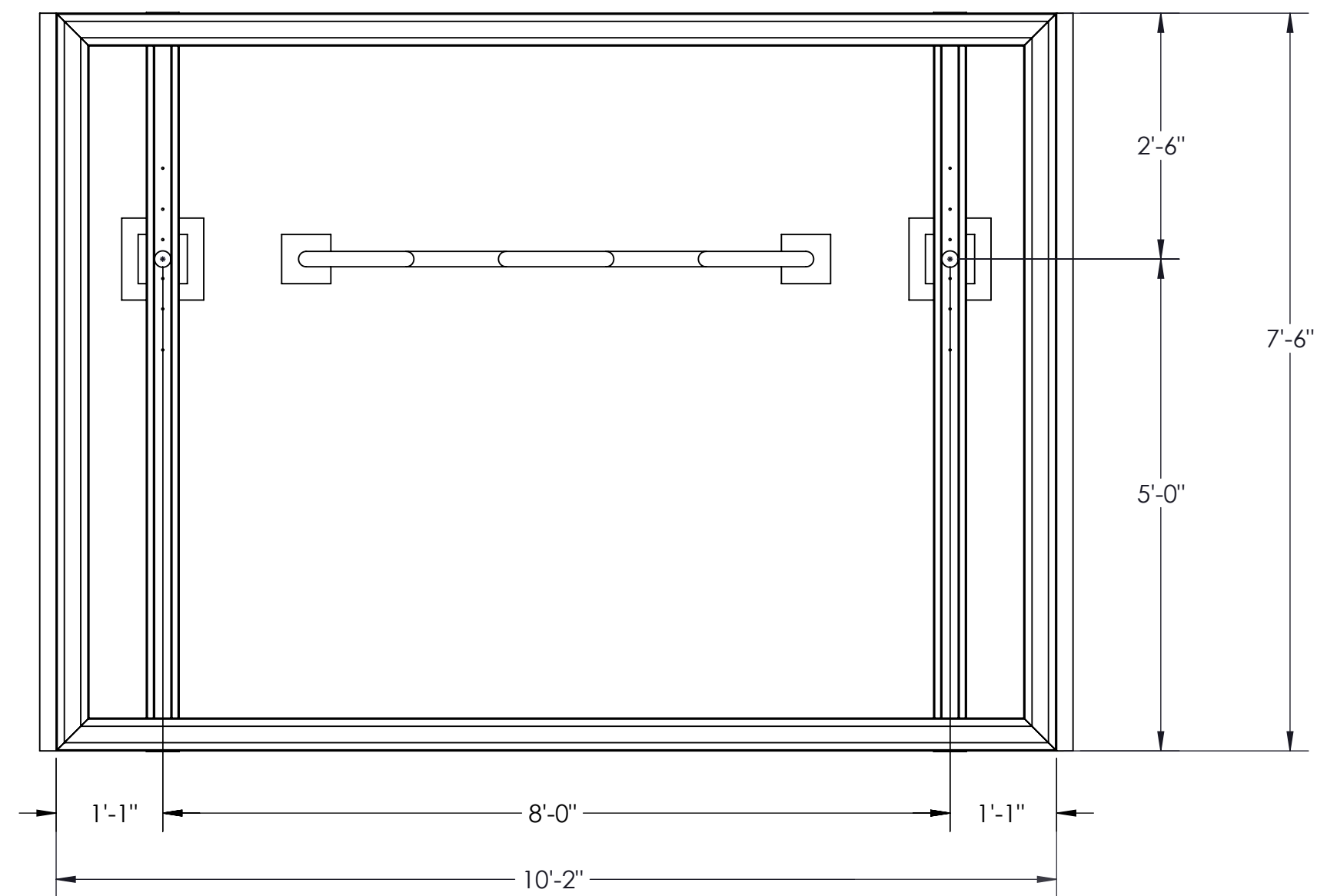
This document is property of Mitchell Metals, LLC. Modifications to this document are prohibited prior written consent from Mitchell Metals, LLC.

STAMP

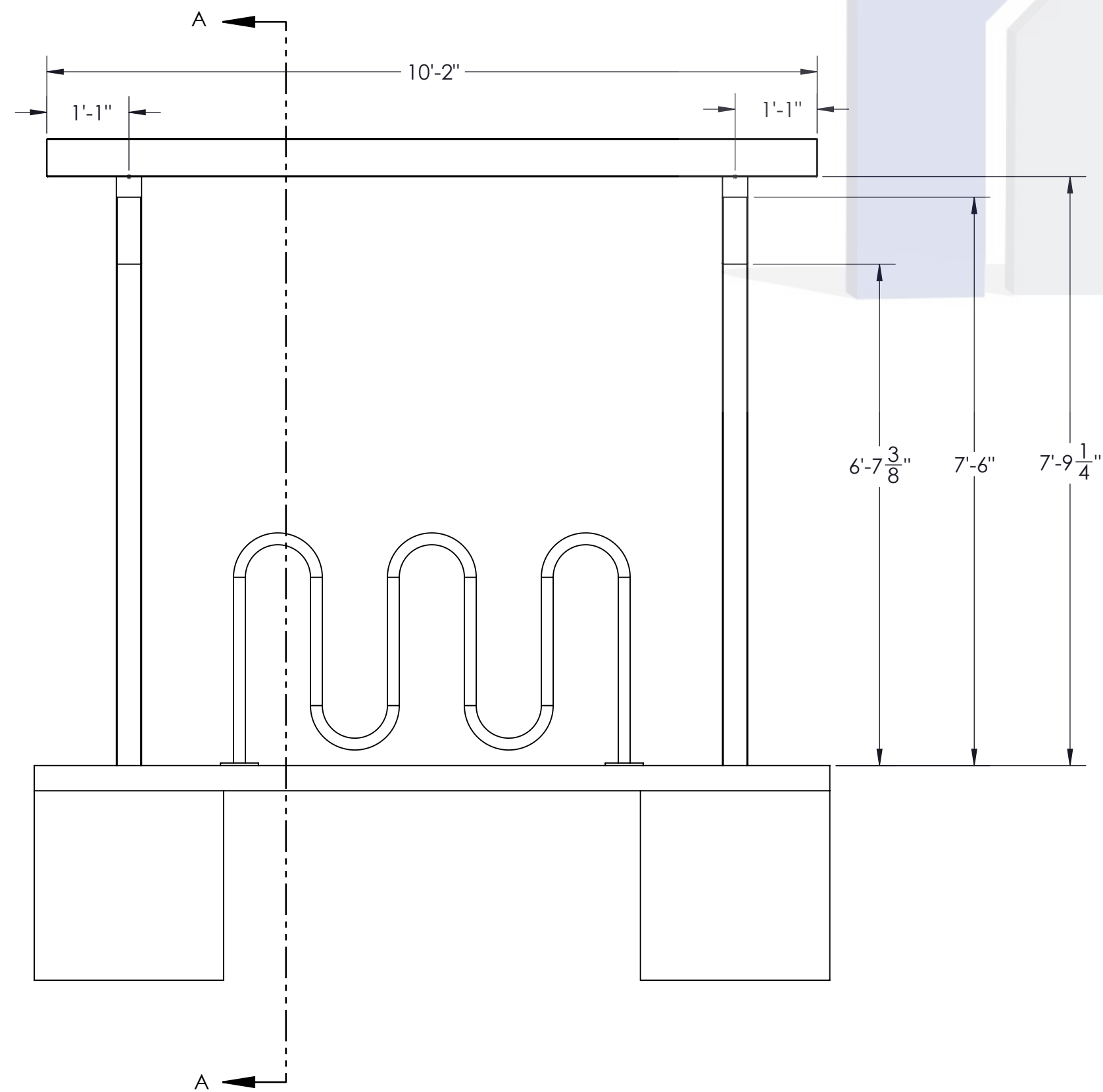
STYLE: **BIKE RACK COVER (LARGE)**

This document is property of Mitchell Metals, LLC. Modifications to this document are prohibited prior written consent from Mitchell Metals, LLC.

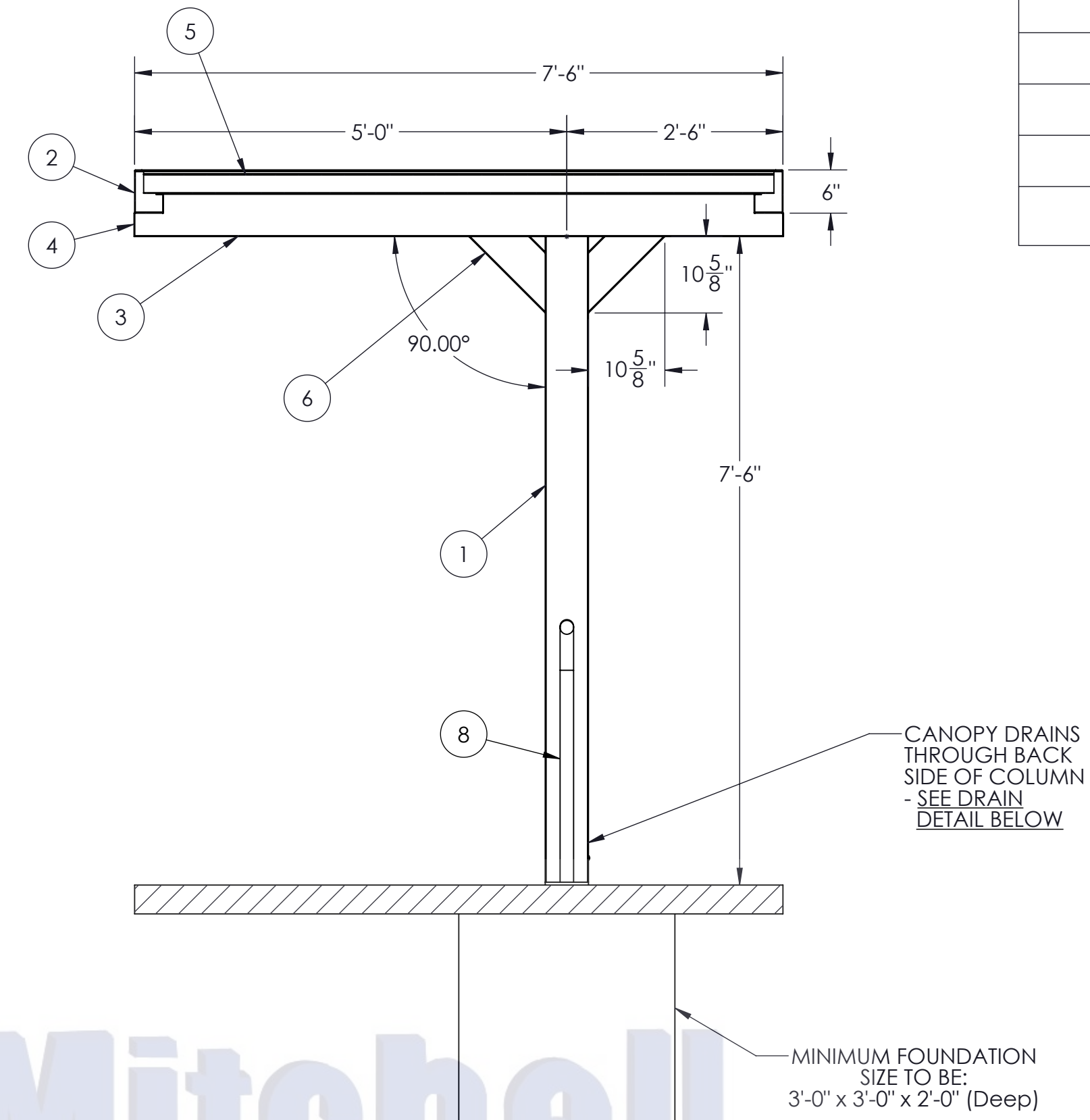
ITEM NO.	PART NUMBER	DESCRIPTION
1	6063-T6 Aluminum	Column (see page 3 for size)
2	6063-T6 Aluminum	4X6 GUTTER
3	6063-T6 Aluminum	Beam (see page 3 for size)
4	0.080" Aluminum	Welded End Cap
5	Aluminum	3 x 12 x 0.040 Roll Formed Flat Pan
6	6063-T6 Aluminum	Column/Brace (see page 3 for size)
7	Deflector Plate	Deflector Plate
8	7 Bike Rack	By Others



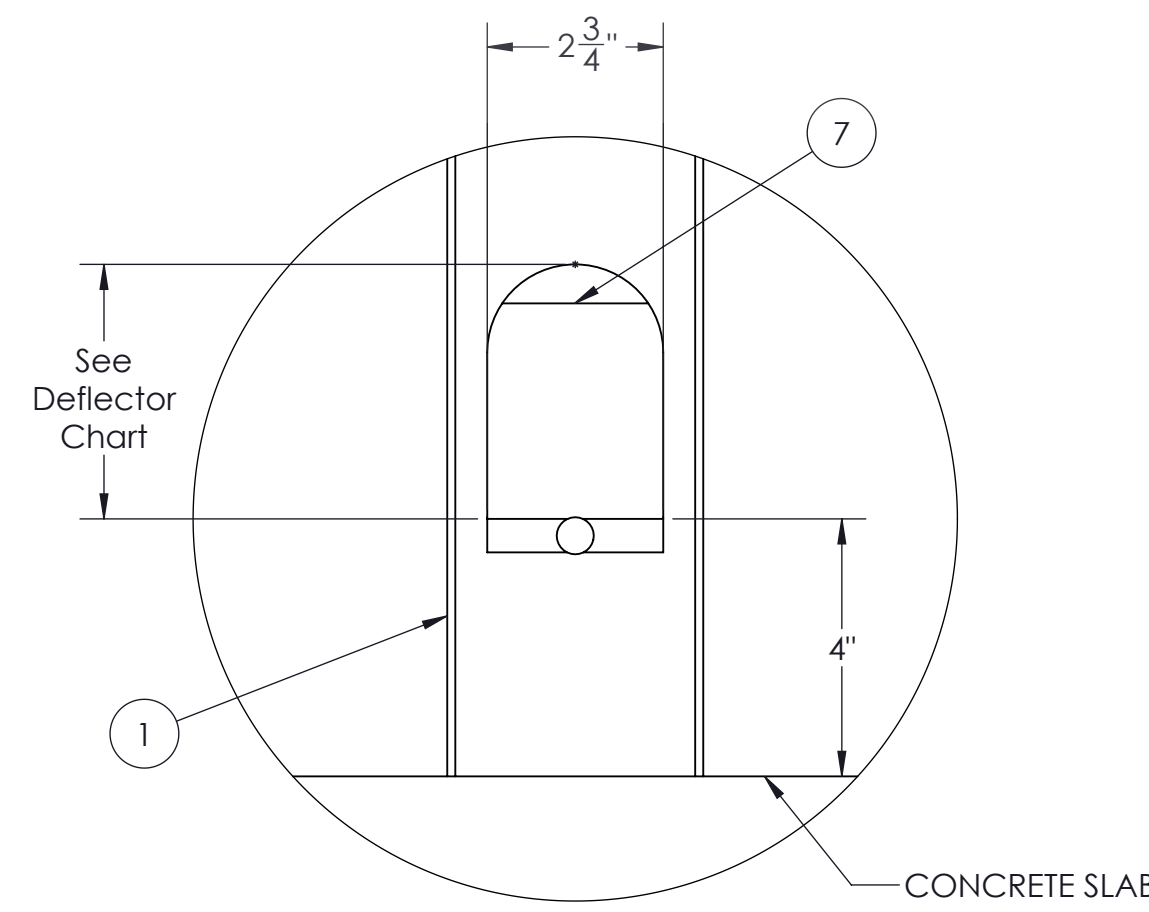
TOP VIEW - NO DECKING FRAMING AND GUTTER LAYOUT



ELEVATION VIEW



SECTION A-A SCALE 1:18



COLUMN DRAIN HOLE DETAIL SCALE 1:3

Deflector Plate Cutout Height	Column Size
4"	4"x6"
6"	6"x6"
6"	6"x8"

CANOPY DRAINS THROUGH BACK SIDE OF COLUMN - SEE DRAIN DETAIL BELOW

MINIMUM FOUNDATION SIZE TO BE: 3'-0" x 3'-0" x 2'-0" (Deep)

STAMP

STYLE:

BIKE RACK COVER (LARGE)

This document is property of Mitchell Metals, LLC. Modifications to this document are prohibited prior written consent from Mitchell Metals, LLC.

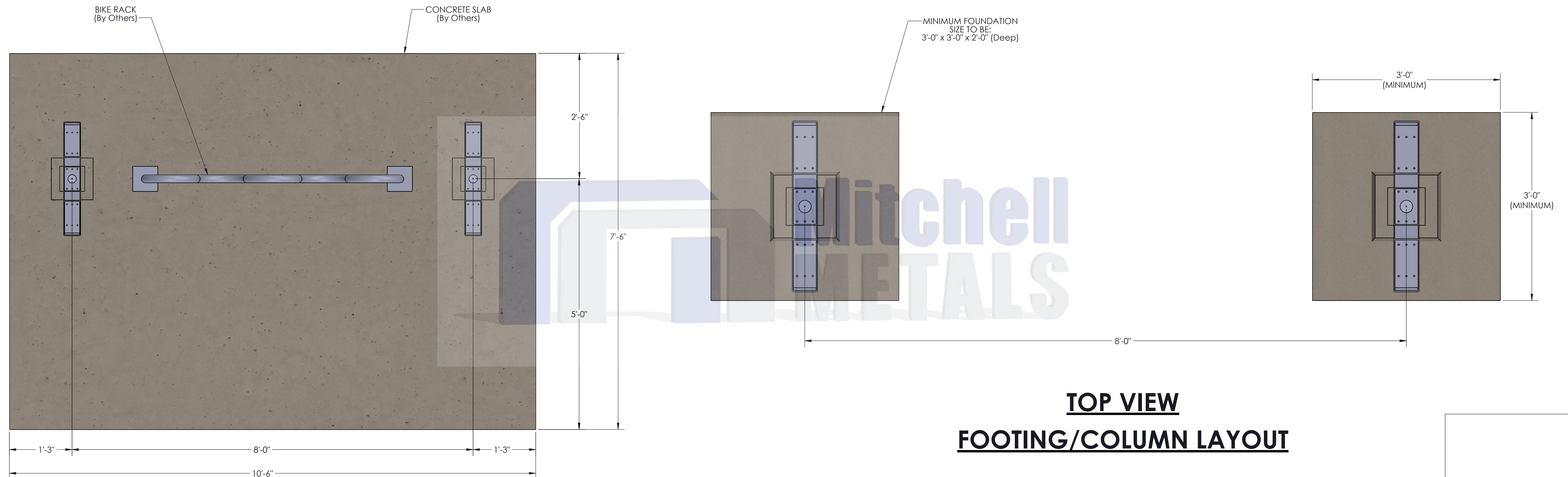
GENERAL NOTES:

- Max column height to be 9'-0". Canopy designed at 7'-6" to bottom of beam above finished concrete slab.
- See Foundation Details Page for concrete foundation design based on project location design criteria.
- Minimum footing size is based on 1500 PSF soil condition.
- Adhere to all local building codes, including layout, foundation design and depth (i.e. frost line depth).
- Any canopy lighting required is provided by others and may require additional canopy framing to support.
- Reference 2010 ADA Standards for Accessible Design for concrete pad design.
- **DESIGN CRITERIA:** IBC 2018, ASCE 7-16, ADM 2015, Exposure Category = B, Risk Category = II, Live Load = 20 psf.
 - Wind = 115mph (max), Ground Snow Load = 30psf (max) - 4"x6"x0.150" Columns, 4"x6"x0.125" Beams
 - Wind = 140mph (max), Ground Snow Load = 5psf (max) - 6"x6"x0.150" Columns, 6"x6"x0.130" Beams

View Before Footing and Blockout Installation



Ver antes de instalar la zapata de concreto



TOP VIEW

COLUMN/MAILBOX/CONCRETE LAYOUT

TOP VIEW
FOOTING/COLUMN LAYOUT

STAMP

STYLE:

**BIKE RACK COVER
(LARGE)**