

POOL DECK COVER



1000 Loudermilk Drive, Bldg 400, Marietta, GA 30060
Phone: (470) 870-7733

This document is property of Mitchell Metals, LLC. Modifications to this document are prohibited without prior written consent from Mitchell Metals, LLC.

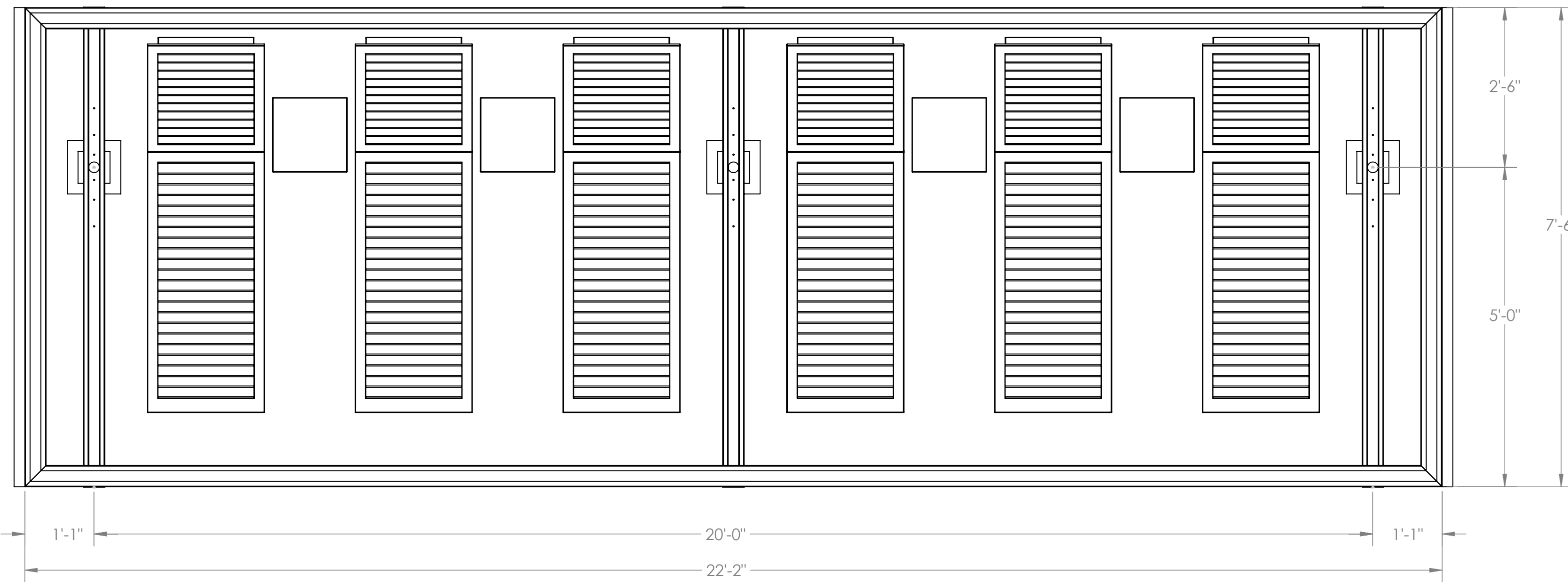
STYLE:

POOL DECK COVER

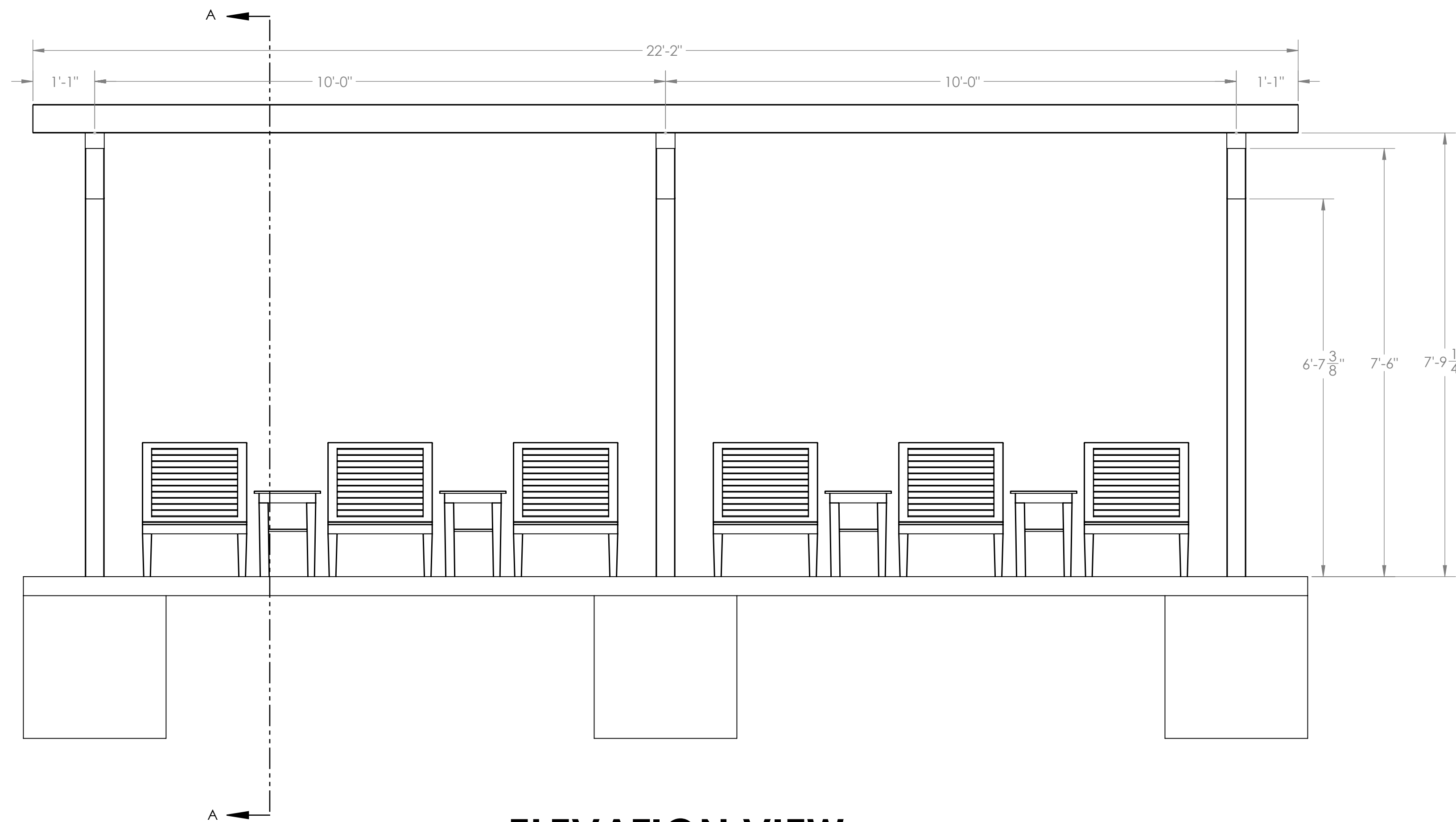
STAMP

This document is property of Mitchell Metals, LLC. Modifications to this document are prohibited without prior written consent from Mitchell Metals, LLC.

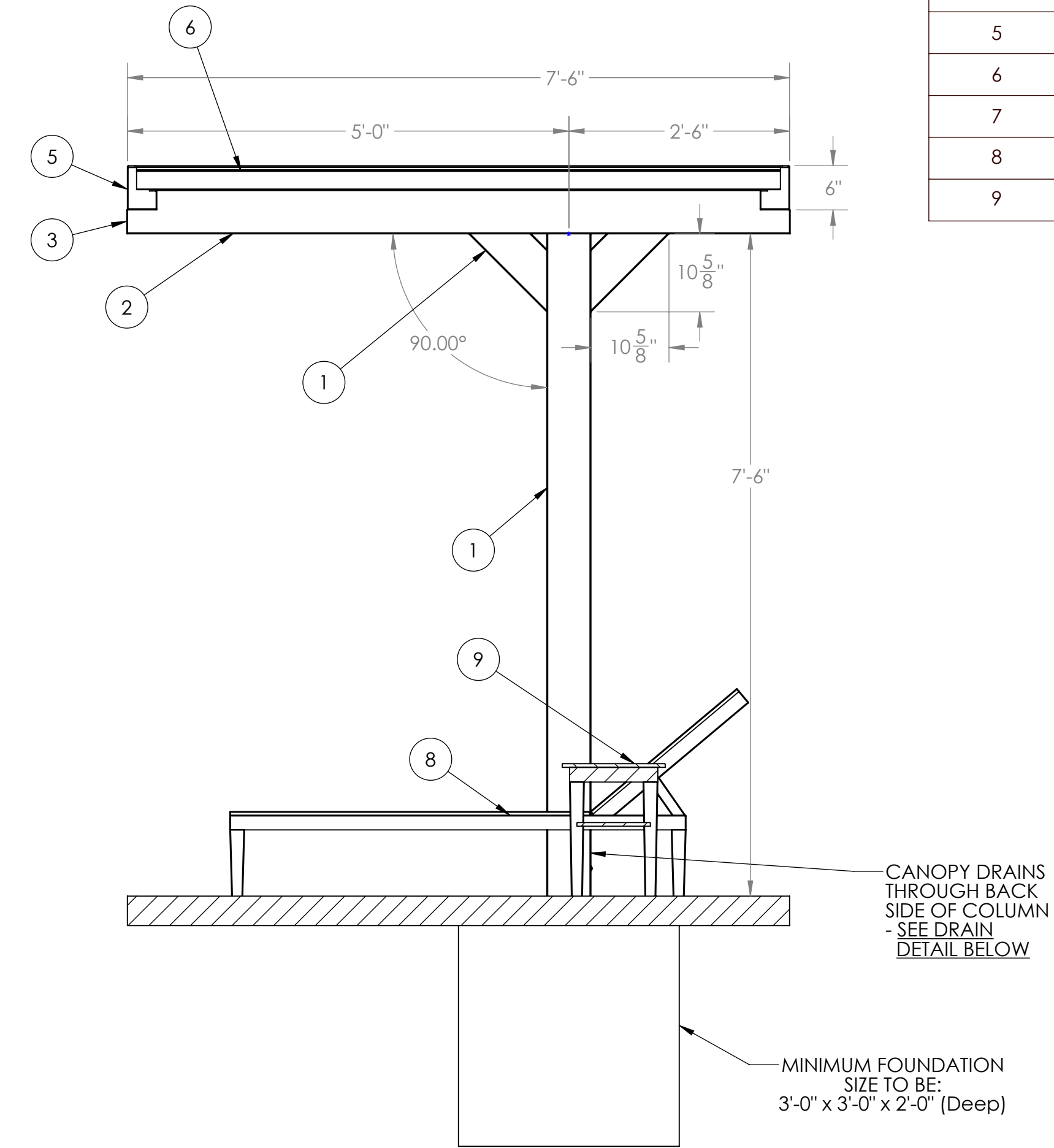
ITEM NO.	PART NUMBER	DESCRIPTION
1	6063-T6	Column (See Page 3 for Size)
2	6063-T6	Beam (See Page 3 for Size)
3	0.080" Aluminum	Welded End Cap
4	6063-T6	Column/Brace (See Page 3 for Size)
5	6063-T6	4X6 GUTTER
6	Aluminum	3 x 12 x 0.040 Roll Formed Flat Pan
7	Deflector Plate	Deflector Plate
8	Pool Chair	By Others
9	Pool Side Table	By Others



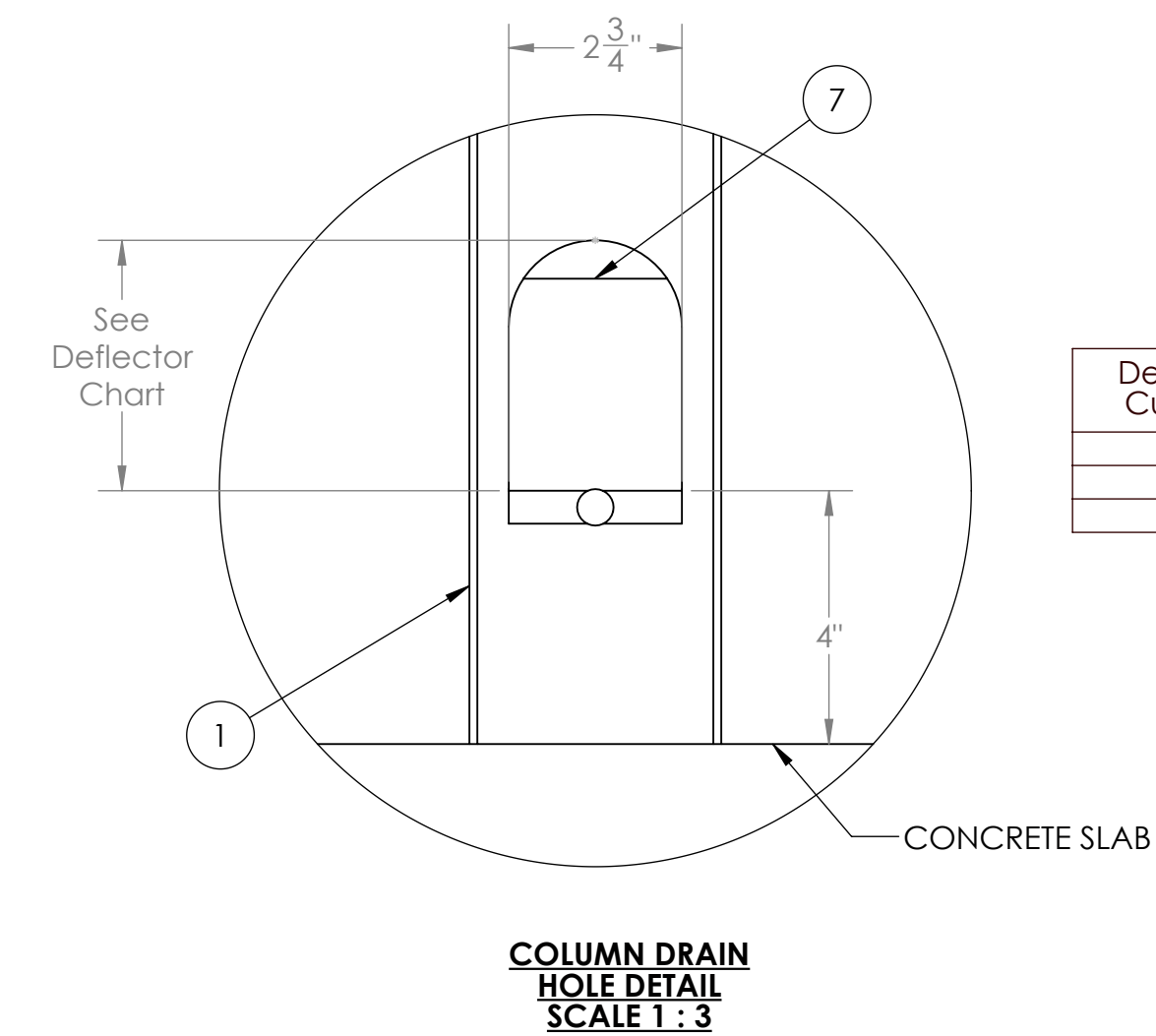
**TOP VIEW - NO DECKING
FRAMING AND GUTTER LAYOUT**



ELEVATION VIEW



SECTION A-A
SCALE 1 : 16
SECTION VIEW



COLUMN DRAIN
HOLE DETAIL
SCALE 1 : 3

Deflector Plate Cutout Height	Column Size
4"	4"x6"
6"	6"x6"
6"	6"x8"

STYLE:

STAMP

POOL DECK COVER

This document is property of Mitchell Metals, LLC. Modifications to this document are prohibited without prior written consent from Mitchell Metals, LLC.

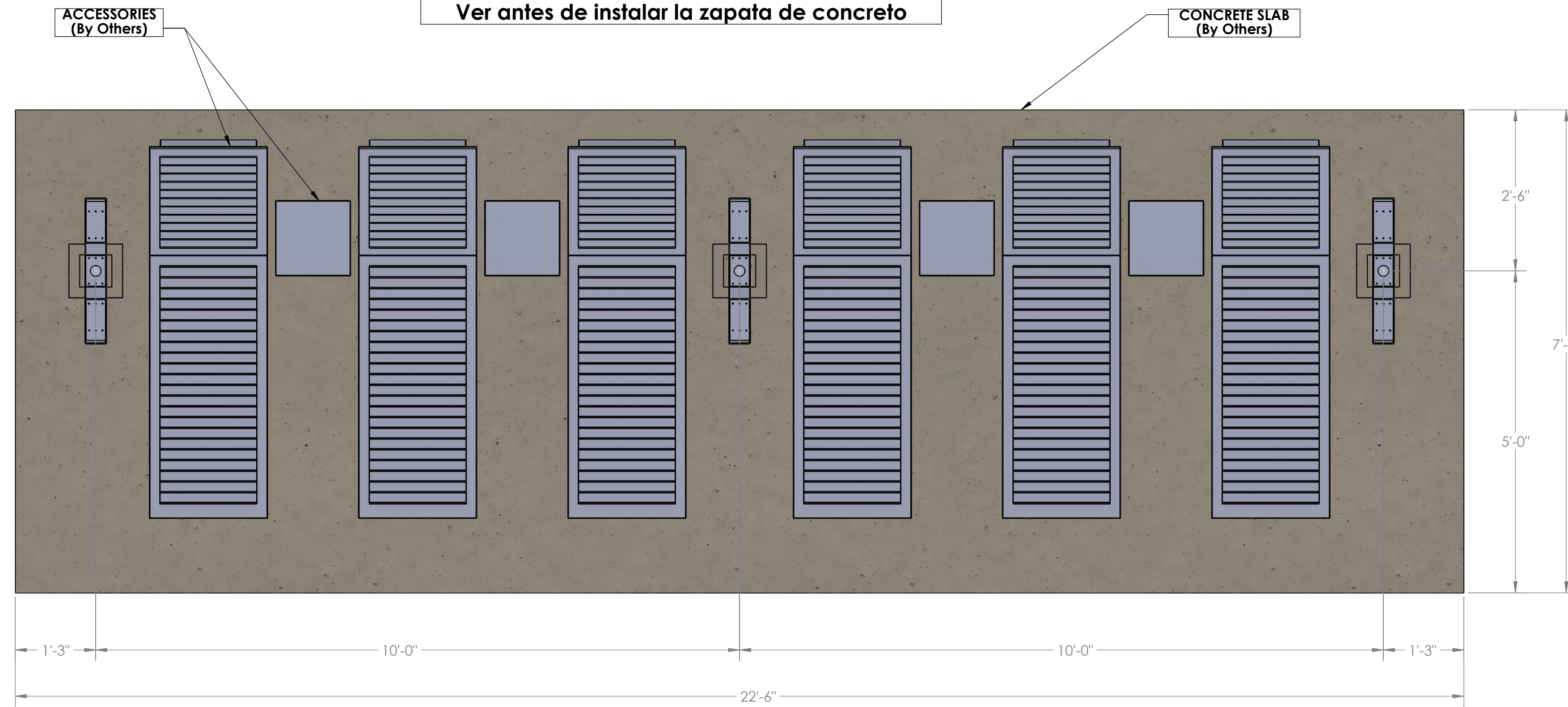
View Before Footing and Blockout Installation



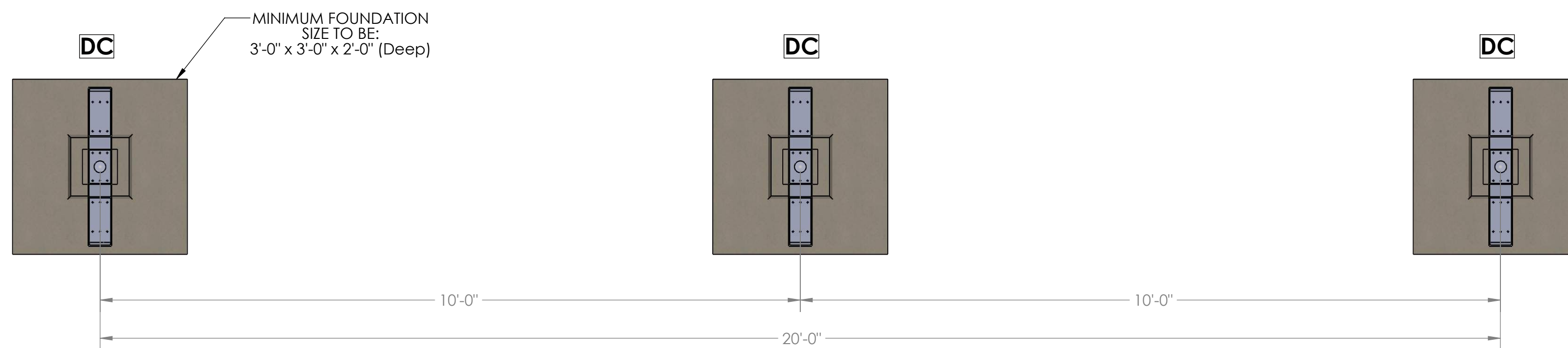
Ver antes de instalar la zapata de concreto

GENERAL NOTES:

- Max column height to be 9'-0". Canopy is designed at 7'-6" to bottom of beam above finished concrete slab.
- See Foundation Details Page for concrete foundation design based on project location design criteria.
- Minimum footing size is based on 1500 PSF soil condition.
- Adhere to all local building codes, including layout, foundation design and foundation depth (i.e. frost line depth).
- Any canopy lighting required is provided by others and may require additional canopy framing to support.
- Reference 2010 ADA Standards or Accessible Design for concrete pad
- **DESIGN CRITERIA:** IBC 2018, ASCE 7-16, ADM 2015, Exposure Category = B, Risk Category = II, Live Load = 20 psf.
 - **WIND = 115 mph (max), Ground Snow Load = 30 psf (max) - 4"x6"x0.150" Columns, 4"x6"x0.125" Beams**
 - **WIND = 140 mph (max), Ground Snow Load = 5 psf (max) - 6"x6"x0.150" Columns, 6"x6"x0.130" Beams**



TOP VIEW
COLUMN/BENCH/CONCRETE LAYOUT



TOP VIEW
FOOTING LAYOUT

STYLE:

STAMP

POOL DECK COVER